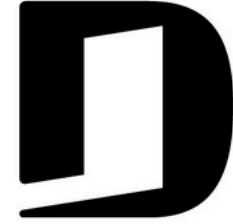




DRUMMOND
HOUSE PLANS  **YOUR
BEST
PLAN**

DRUMMOND HOUSE PLANS



YOUR
BEST
PLAN



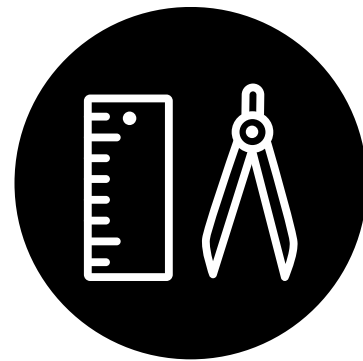
**READY-TO-BUILD
& CUSTOMIZABLE**

1500 PLANS



**RENOVATION &
ENLARGEMENT**

PLANS



**CUSTOM
PLANS**



**INTERIOR
DESIGN**



1-800-567-5267



INFO@DRUMMONDHOUSEPLANS.COM



WWW.DRUMMONDHOUSEPLANS.COM

NOTE

THIS DRAWING CONTAINS INFORMATION AND DIMENSIONS TO BUILD FROM MATERIALS NOTED. DIMENSIONS MAY VARY SLIGHTLY FROM THOSE SHOWN DUE TO ROUNDING OR CONTRACTOR VARIATIONS. LA CONSTRUCTION DE CE TYPE DE MAISONNETTE PEUT ÊTRE CHANGÉE POUR S'ADAPTER À VOS BESOINS. LES DIMENSIONS PEUVENT VARIER LÉGÈREMENT EN RAISON D'ARRONDISSEMENTS OU DE LA PRATIQUE DE LA CONSTRUCTION. POUR PLUS D'INFORMATIONS, VOUS POUVEZ CONSULTER LE MANUEL D'INSTRUCTIONS. LE PLAN DE MAISONNETTE NE VOUS PERMET PAS D'UTILISER CE MODÈLE À DES FINS PUBLICITAIRES, À MOINS D'OBTENIR PRÉALABLEMENT UNE LICENCE. LA CONSTRUCTION DE PLUS D'UNE MAISONNETTE À PARTIR DES PLANS DE CE MODÈLE NÉCESSITE AUSSI OBLIGATOIREMENT L'OBTENTION D'UNE LICENCE.



DRUMMONDHOUSEPLANS.COM ALL RIGHTS RESERVED

CUSTOMER INFO

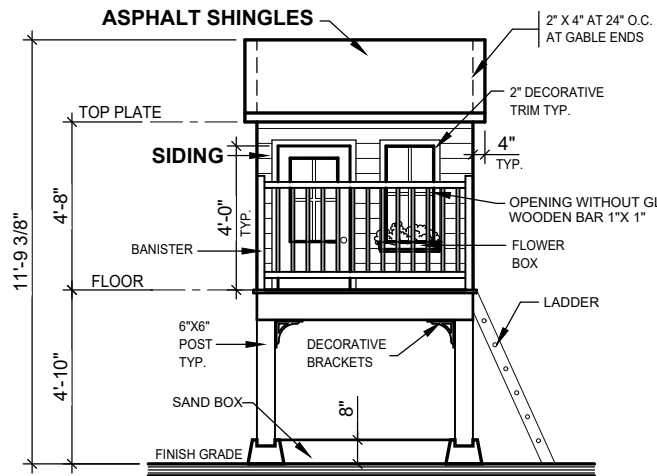
PROJECT INFO

PLAYHOUSE

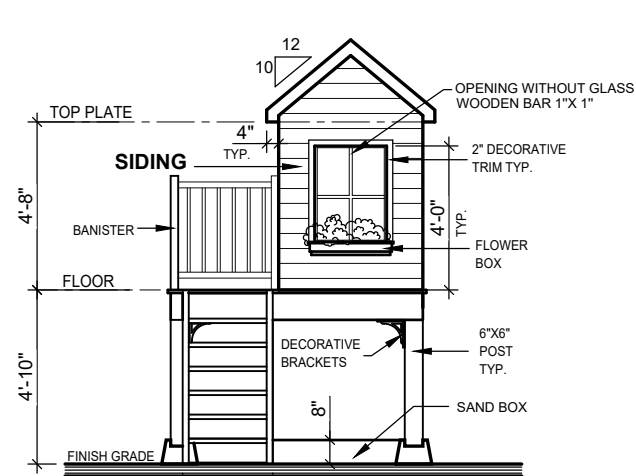
DRAWING

ELEVATIONS AND FLOORS

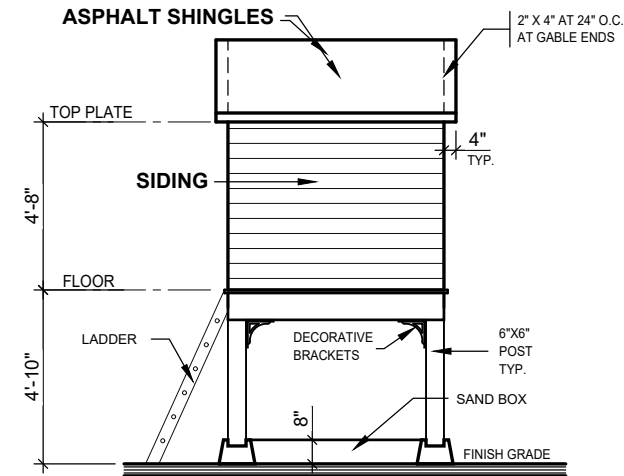
SCALE	3/16"=1'-0"	CHECKED BY	M.S.
DATE	04/07/2024	DRAWN BY	B.R.
PLAN NO.	9988	DESIGNED BY	D.C.
SHEET NO.	1-2		



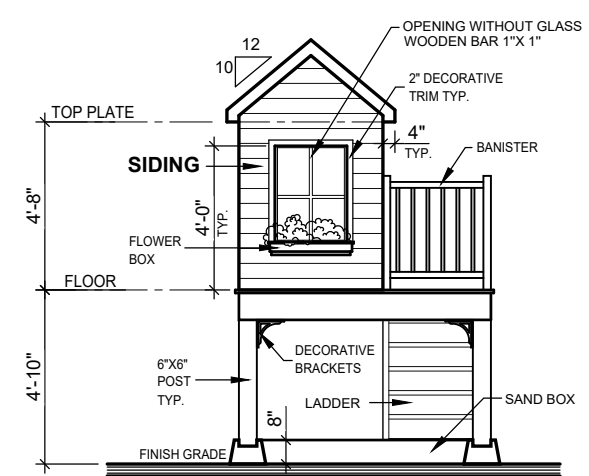
FRONT ELEVATION



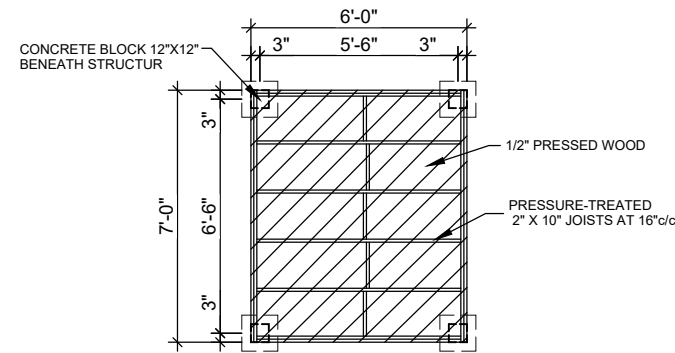
RIGHT ELEVATION



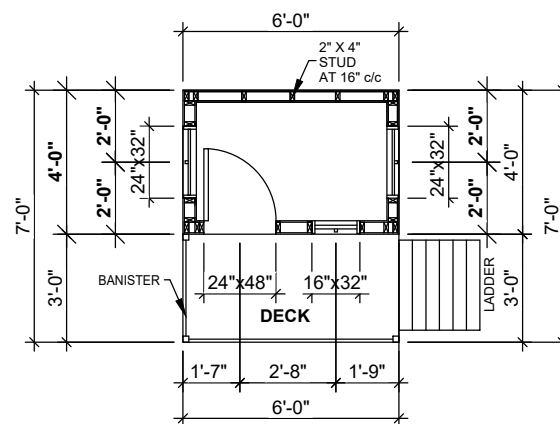
REAR ELEVATION



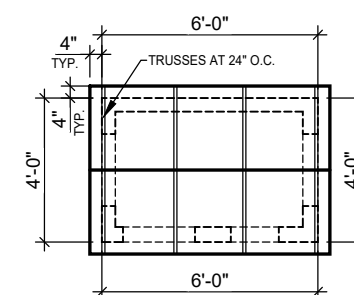
LEFT ELEVATION



FLOOR



PLAN



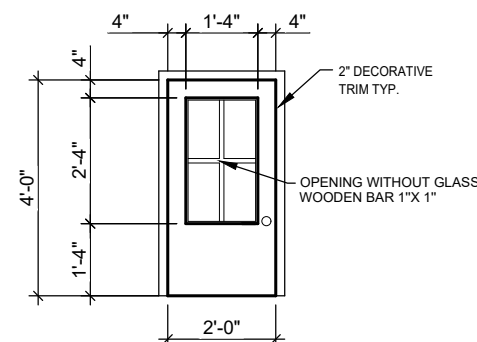
ROOF PLAN

NOTE

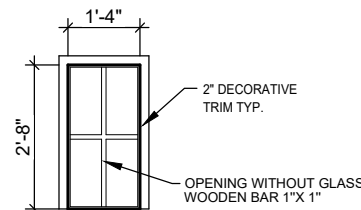
THIS PLAN CONTAINS ALL DIMENSIONS AND DIRECTIONS TO BUILD FOR MATERIALS NEARLY AS SHOWN. IT IS YOUR RESPONSIBILITY TO VERIFY ALL DIMENSIONS AND DIRECTIONS BEFORE CONSTRUCTION. ANY CHANGES TO THIS PLAN MUST BE APPROVED BY DRUMMOND HOUSE PLANS.

LA CONSTRUCTION DE CE TYPE DE MAISONNETTE PEUT EXIGER DES CORRECTIONS ET DES MODIFICATIONS. VOUS DEVEZ VÉRIFIER TOUS LES DIMENSIONS ET LES DIRECTIONS AVANT DE COMMENCER LA CONSTRUCTION. TOUTES LES MODIFICATIONS À CE PLAN DOIVENT ÊTRE APPROUVÉES PAR DRUMMOND HOUSE PLANS.

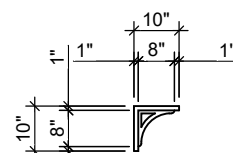
FOR YOUR PROTECTION, THIS PLAN DOES NOT INCLUDE THE LICENSE FOR REPRODUCING OR DISTRIBUTING THIS PLAN. ANY REPRODUCTION OR DISTRIBUTION OF THIS PLAN WITHOUT THE WRITTEN PERMISSION OF DRUMMOND HOUSE PLANS IS STRICTLY PROHIBITED. THE PURCHASE OF A PLAYHOUSE PLAN DOES NOT INCLUDE THE LICENSE FOR REPRODUCING OR DISTRIBUTING THIS PLAN. ANY REPRODUCTION OR DISTRIBUTION OF THIS PLAN WITHOUT THE WRITTEN PERMISSION OF DRUMMOND HOUSE PLANS IS STRICTLY PROHIBITED.



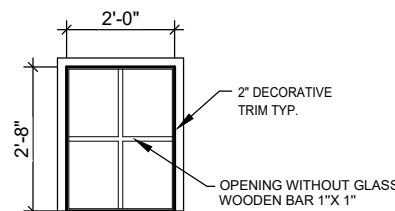
DOOR STYLE
(SCALE 3/8" = 1'-0")



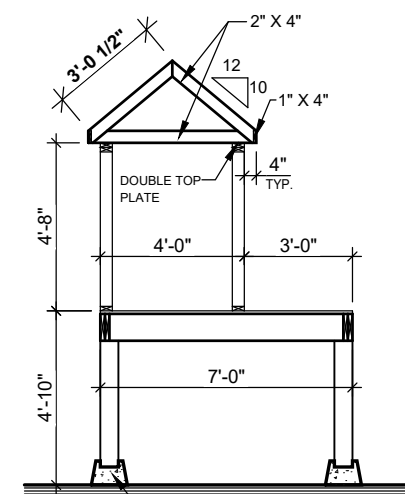
WINDOW DETAIL
(SCALE 3/8" = 1'-0")



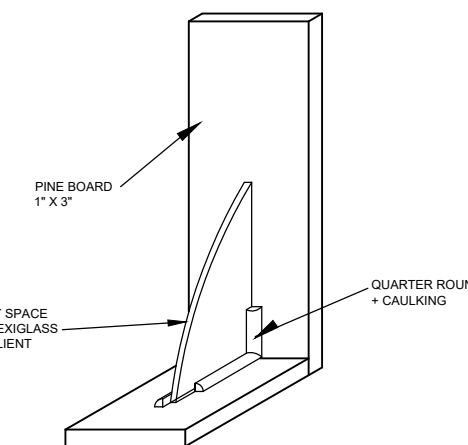
DECORATIVE SQUARE
(SCALE 3/8" = 1'-0")



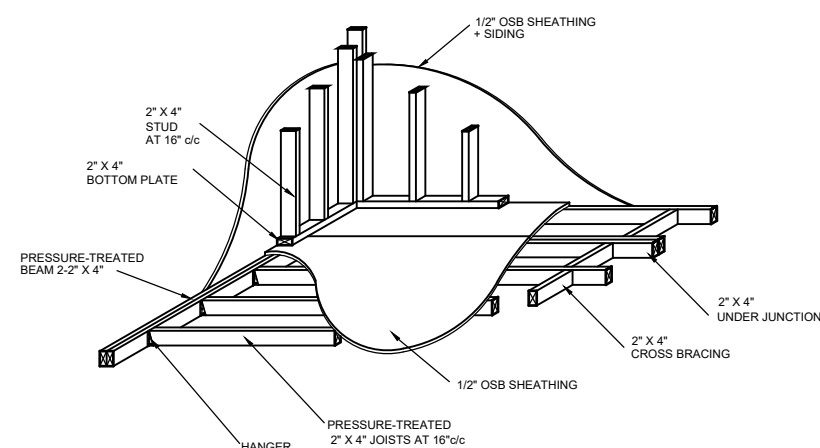
WINDOW DETAIL
(SCALE 3/8" = 1'-0")



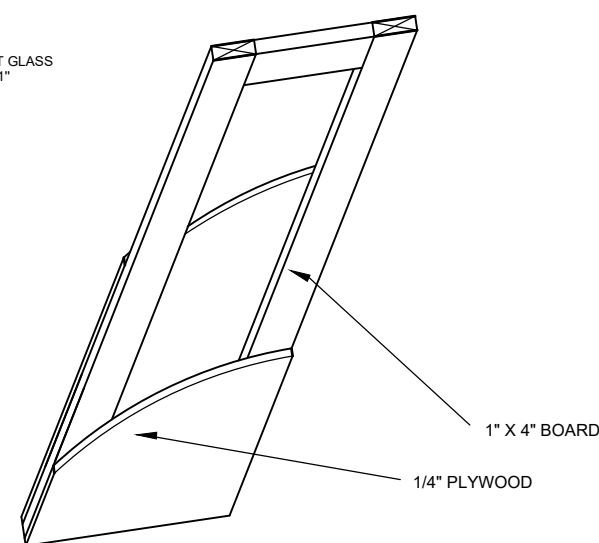
SECTION



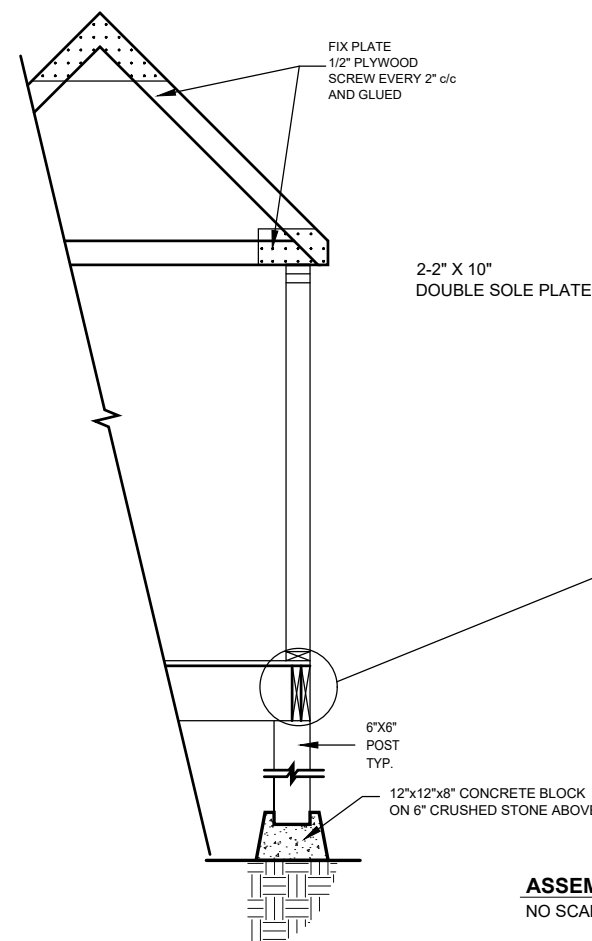
WINDOW SECTION
NO SCALE



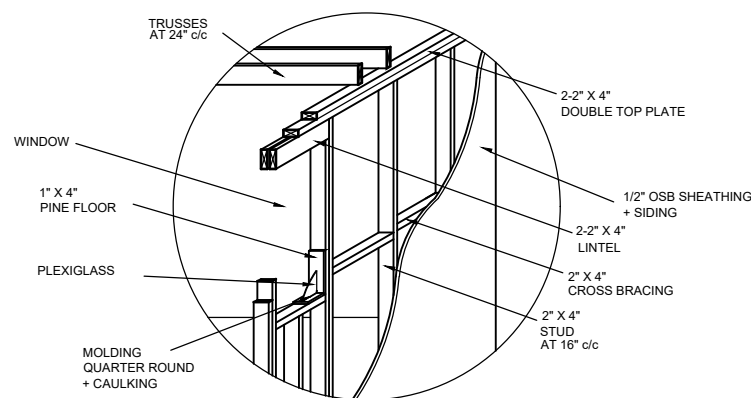
COLUMN SECTION
(NO SCALE)



DOOR SECTION
NO SCALE



ASSEMBLY DETAIL
NO SCALE



OPENING SECTION
(WITHOUT SCALE)

DRUMMOND HOUSEPLANS.COM ALL RIGHTS RESERVED

CUSTOMER INFO

PROJECT INFO

PLAYHOUSE

DRAWING

SECTIONS AND DETAILS

SCALE	3/16"=1'-0"	CHECKED BY	M.S.
DATE	04/07/2024	DRAWN BY	B.R.
PLAN NO.	9988	DESIGNED BY	D.C.
SHEET NO.			2-2

<u>QTY</u>		<u>DESCRIPTION</u>	<u>MMS</u>
		<u>Floor Framing (Treated)</u>	
4	EA	6" Deck Blocks	139257
2	EA	6x6x8' Posts	144669
2	EA	2x10x12' Rim / Beam	144660
4	EA	2x10x8' Rim / Beam	144658
2	EA	2x10x12' Joists	144660
1	EA	2x10x8' Blocking	144658
2	EA	1/2"x4'x8' OSB Sheathing	113808
8	EA	2x10 Single Joist Hangers	295766
8	EA	Decorative Brackets	S/O
		<u>Patio / Sand Box / Ladder (Treated)</u>	
2	EA	4x4x8' Rail Posts	144666
2	EA	2x4x10' Railing	144645
10	EA	2x2x8' Balusters	148046
2	EA	2x8x8' Sand Box	144653
1	EA	2x8x12' Sand Box	144655
1	EA	2x4x12' Ladder Frame	144646
2	EA	2x4x10' Steps	144645
		<u>Wall Framing</u>	
3	EA	2x4x8' Plates	114624
3	EA	2x4x12' Plates	114626
1	EA	2x4x8' Blocking	114624
1	EA	2x4x12' Blocking	114626
11	EA	2x4x10' Studs	114625
2	EA	2x4x8' Lintels	114624
3	EA	2x4x12' Cripples / Jacks	114626
4	EA	1/2"x4'x8' OSB Sheathing	113808
86	SQ.FT	Horizontal Canexel Siding	S/O
4	EA	1x2x8' Trim	145008
3	EA	Flower Boxes	S/O
		<u>Window Framing</u>	
1	EA	1x4x8'	145012
2	EA	1x4x10'	248398
7	EA	1/4 Round Trim x 8'	113965
3	EA	1x1x8' Grill	131709
4	EA	1x2x8' Trim	145008
1	EA	16"x32" Plexiglass	S/O
2	EA	24"x32" Plexiglass	S/O
		<u>Door Framing</u>	
2	EA	1x4x8'	145012
1	EA	1/4"x4x8' Plywood	144985
2	EA	1/4 Round Trim x 8'	113965
2	EA	1x2x8' Trim	145008
1	EA	1x1x8' Grill	131709
1	EA	16"x28" Plexiglass	S
1	EA	Weiser Satin Nickle Handle	283755
		<u>Roof Framing Material</u>	
4	EA	2x4x12' Rafter / Ceiling Joists	114626
3	EA	1/2"x4x8' Plywood Sheathing & Gussets	113776
4	EA	1x4x8' Sub Fascia	145012
2	EA	Mystique Barkwood Shingles	283338
1	EA	Dakota Barkwood Shingles	283326
0,25	ROLL	Roofing Felt Paper	113883
4	EA	Alum Metal Shingle Starter x 10'	132784
4	EA	4" Fascia Trim x 10'	132781
4	EA	4" Wide Soffit	108859

(For Exact Colors & Styles Refer To Moodboard)
(Hardware & Caulking To Be Verified)

