



DRUMMOND
HOUSE PLANS  **YOUR
BEST
PLAN**

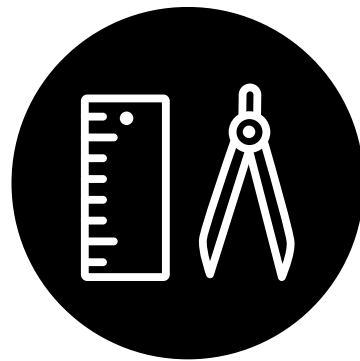
DESSINS
DRUMMOND  VOTRE
MEILLEUR
PLAN



1500 PLANS
**PRÊT-À-CONSTRUIRE
& MODIFIABLE**



PLANS DE
**RÉNOVATION &
AGRANDISSEMENT**



PLANS
SUR-MESURE



DESIGN
INTÉRIEUR



1-800-567-1413



INFO@DESSINSDRUMMOND.COM



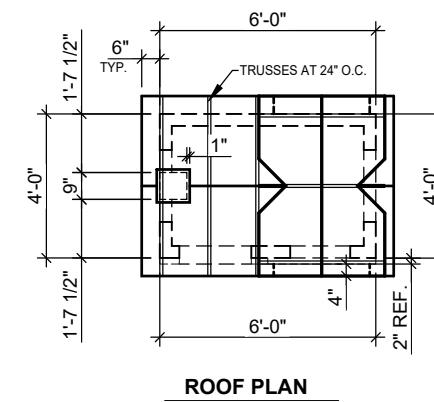
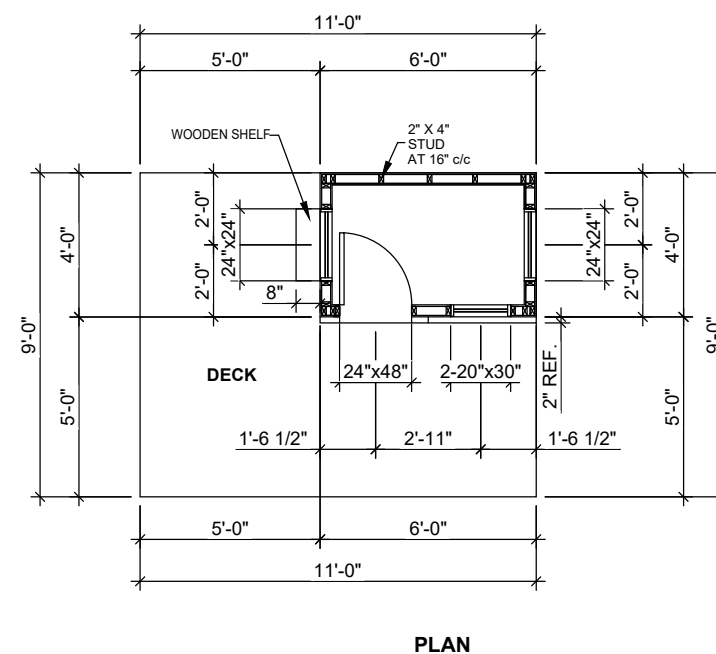
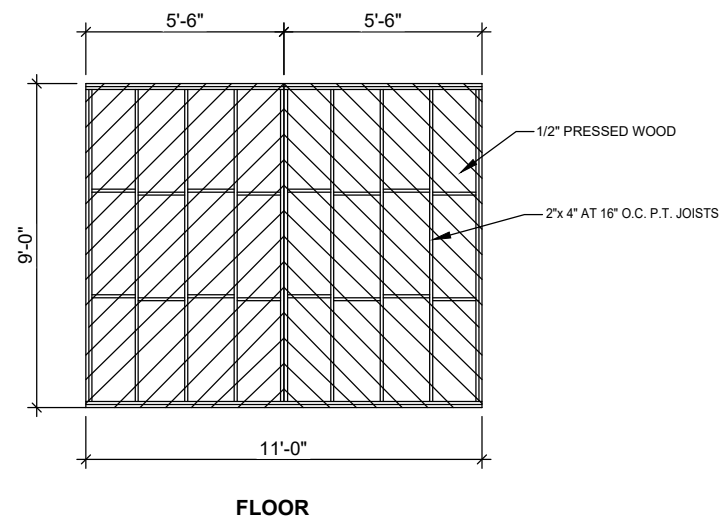
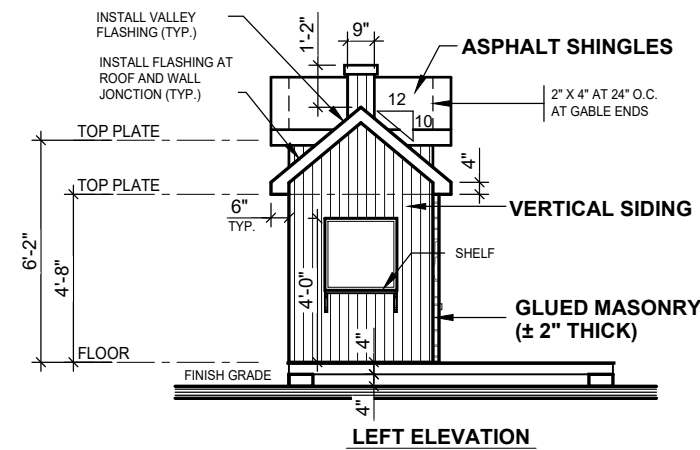
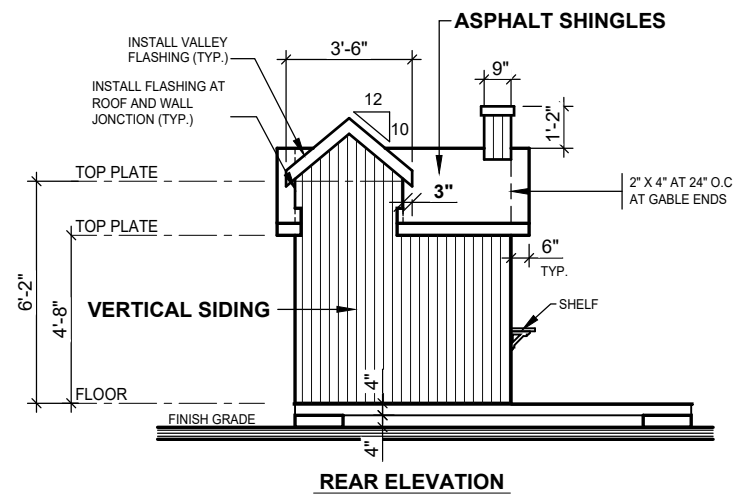
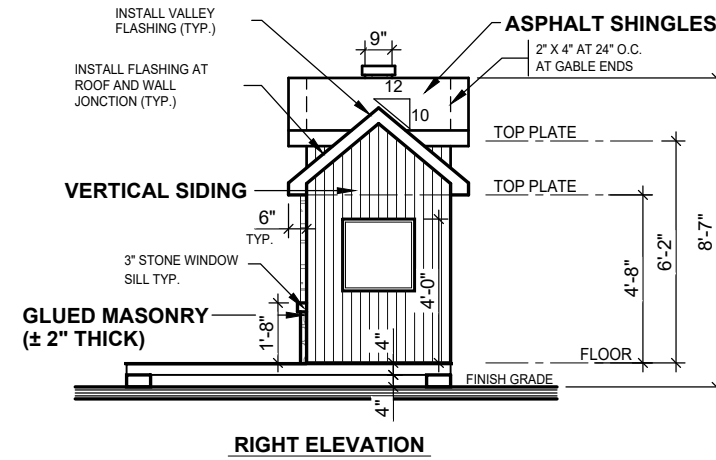
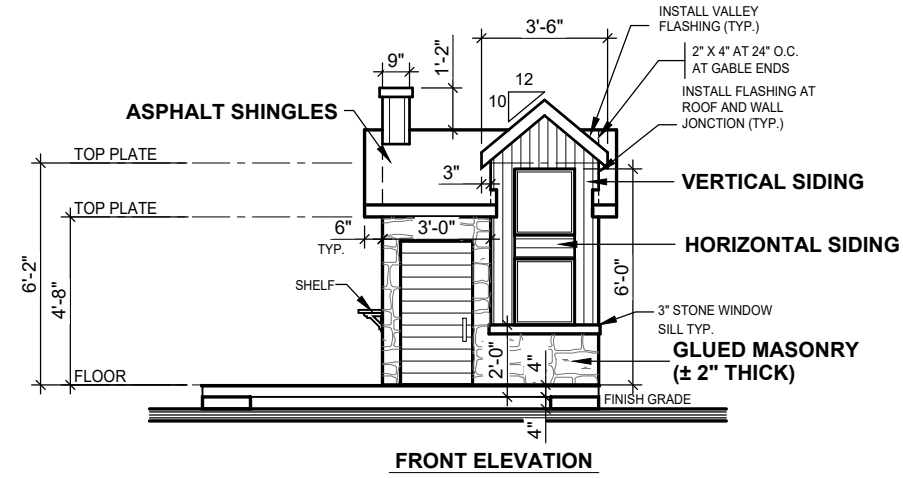
WWW.DESSINSDRUMMOND.COM

NOTE

THIS PRESENTS CONTAINS ALL DIMENSIONS AND DIRECTIONS TO BUILD FOR MATERIALS NOTED. YOU MAY BE ABLE TO SUBSTITUE OTHER MATERIALS THAT MAY BE AVAILABLE IN YOUR AREA. HOWEVER, YOU MUST BE SURE TO FOLLOW ALL DIMENSIONS AND DIRECTIONS TO BUILD THIS TYPE OF PLAYHOUSE.

LA CONSTRUCTION DE CE TYPE DE MAISONNETTE PEUT ÊTRE CHANGÉE POUR S'ADAPTER À VOS DIMENSIONS LOCALES. CÉPENDANT, VOUS DEVEZ S'ASSURER DE SUIVRE TOUTES LES DIMENSIONS ET LES DIRECTIONS POUR CONSTRUIRE CE TYPE DE MAISONNETTE.

THIS PLAN PROVIDES INFORMATION FOR THE CONSTRUCTION OF A PLAYHOUSE. THE PURCHASE OF A PLAYHOUSE PLAN DOES NOT INCLUDE THE LICENSE FOR REPRODUCTION OR REPRODUCTION IN ANY MANNER. ANY REPRODUCTION IS STRICTLY PROHIBITED. FOR MORE INFORMATION, PLEASE CONTACT US AT 1-800-567-5267. WE WILL BE HAPPY TO ASSIST YOU IN OBTAINING THE NECESSARY LICENSES FOR THE CONSTRUCTION OF THIS TYPE OF PLAYHOUSE.



DRUMMONDHOUSEPLANS.COM ALL RIGHTS RESERVED

CUSTOMER INFO

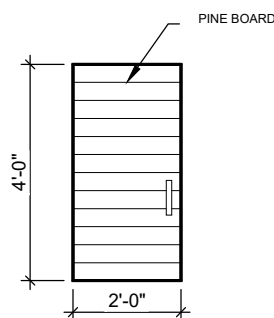
PROJECT INFO

PLAYHOUSE

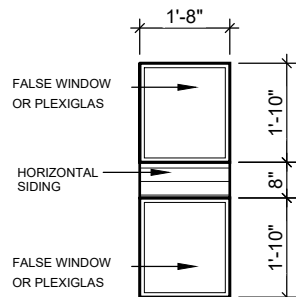
DRAWING

ELEVATIONS AND FLOORS

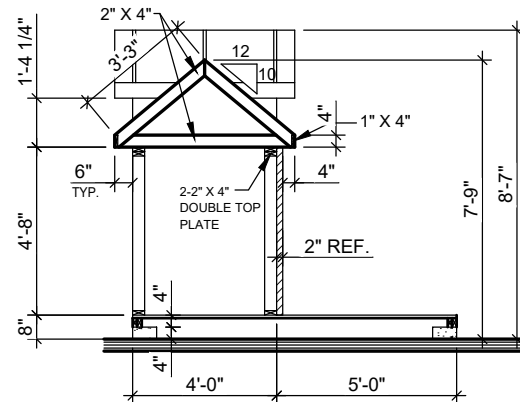
SCALE	3/16"=1'-0"	CHECKED BY	M.S.
DATE	27/06/2024	DRAWN BY	B.R.
PLAN NO.	9987	DESIGNED BY	D.C.
SHEET NO.	1-2		



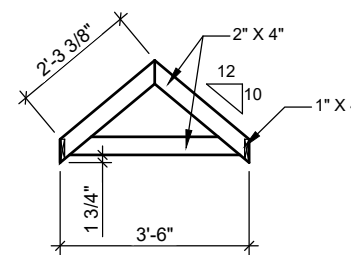
DOOR STYLE
(SCALE 3/8" = 1'-0")



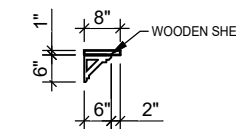
WINDOW DETAIL
(SCALE 3/8" = 1'-0")



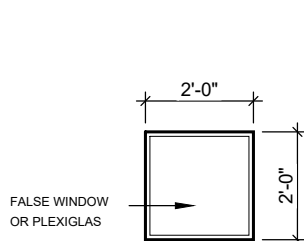
SECTION



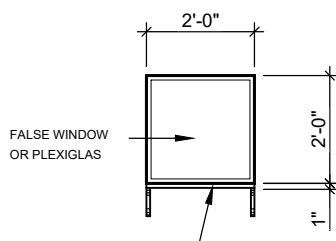
TRUSS SECTION
(SCALE 3/8" = 1'-0")



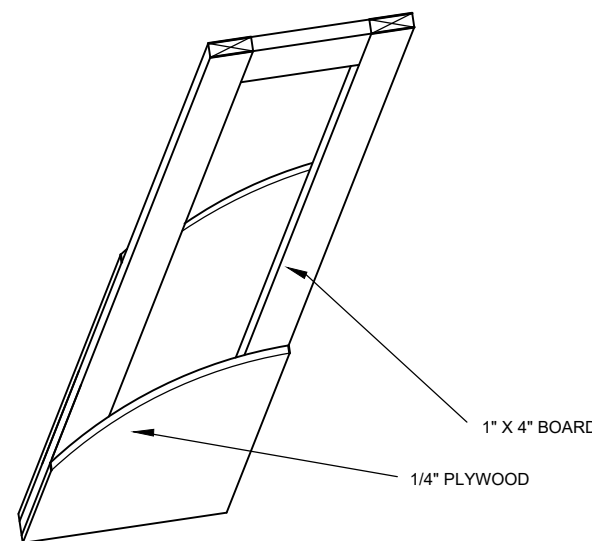
DECORATIVE SQUARE
(SCALE 3/8" = 1'-0")



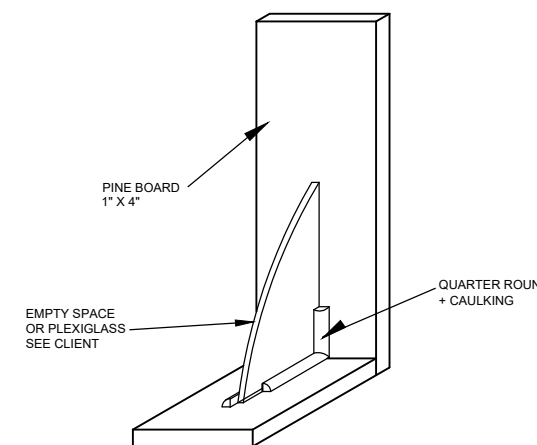
WINDOW DETAIL
(SCALE 3/8" = 1'-0")



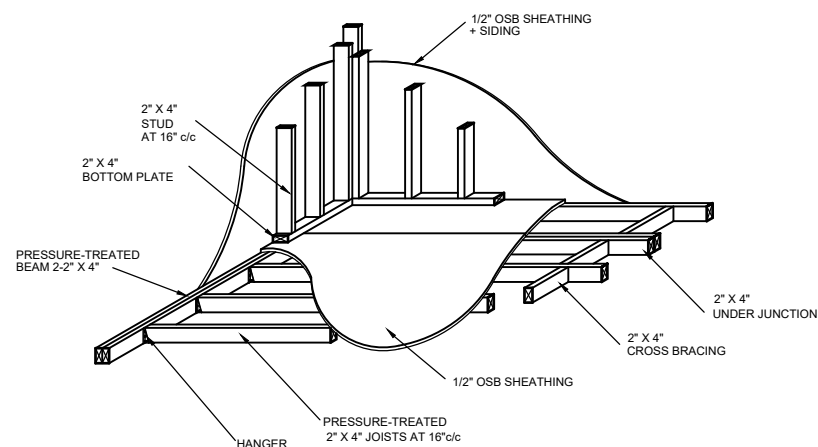
WINDOW DETAIL
(SCALE 3/8" = 1'-0")



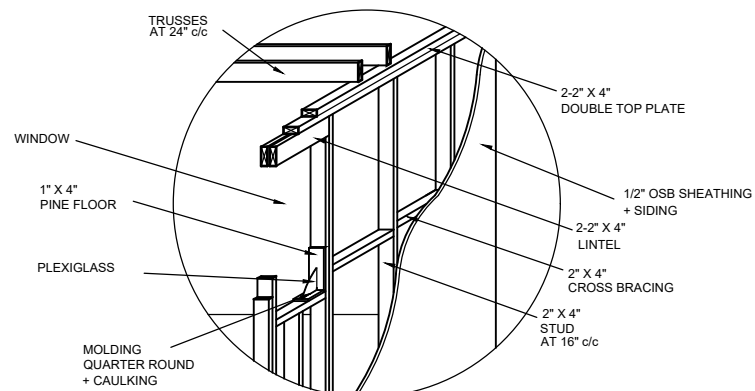
DOOR SECTION
NO SCALE



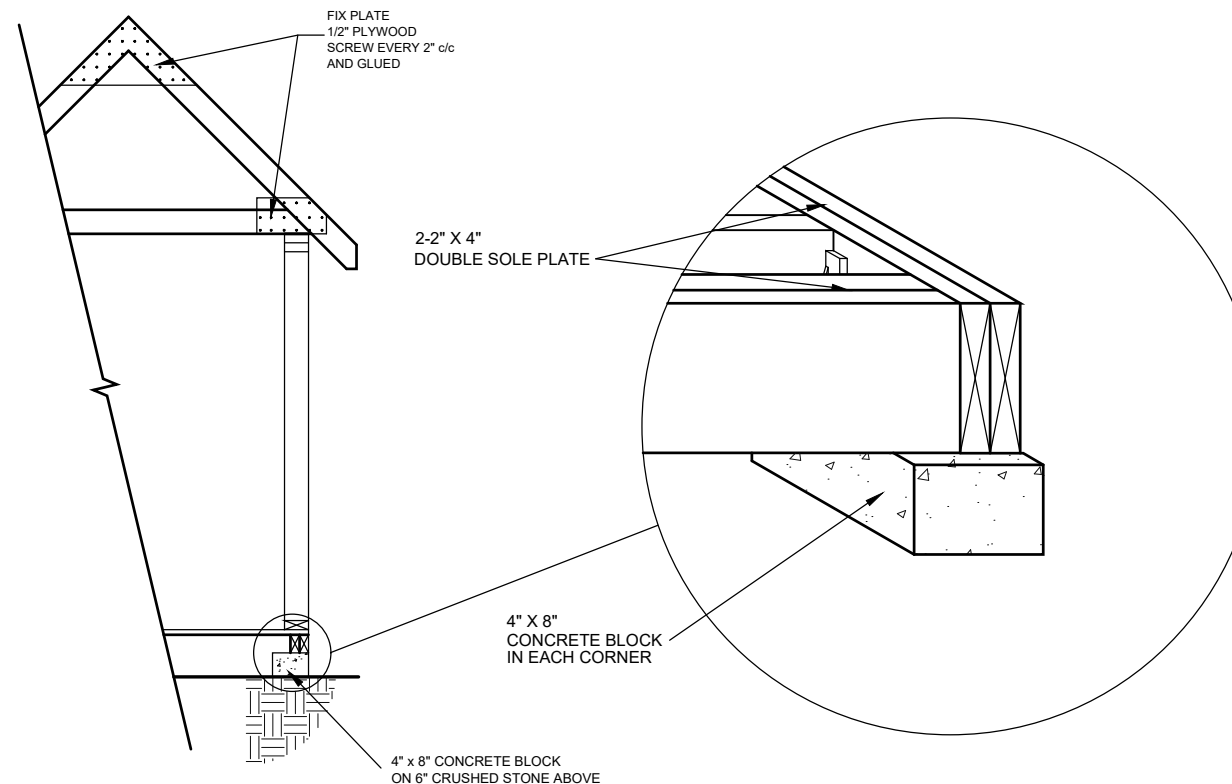
WINDOW SECTION
NO SCALE



COLUMN SECTION
(NO SCALE)



OPENING SECTION
(WITHOUT SCALE)



ASSEMBLY DETAIL
NO SCALE

NOTE

THIS PLAN CONTAINS ALL DIMENSIONS AND DIRECTIONS TO BUILD FOR MATERIALS NEARLY AS GOOD AS THE ORIGINAL. YOU MUST FOLLOW THE CONSTRUCTION METHOD TO BUILD THIS TYPE OF PLAYHOUSE. LA CONSTRUCTION DE CE TYPE DE MAISONNETTE PEUT CHANGER DES DIMENSIONS ET DES DIRECTIONS. VOUS DEVEZ SUIVRE LES METHODES DE CONSTRUCTION POUR POUVOIR RECONSTRUIRE CE TYPE DE MAISONNETTE. POUR PLUS D'INFORMATION, VOUS AVEZ BEAUCOUP DE CHOISIR. VOUS AVEZ LA RESPONSABILITE STRICTE DE LA CONSTRUCTION. LA CONSTRUCTION DE CE TYPE DE MAISONNETTE NE VOUS PERMET PAS D'UTILISER CE MODELE A DES FINS PUBLICITAIRES, A MOINS D'OBTENIR PREALABLEMENT UNE LICENCE. LA CONSTRUCTION DE PLUS D'UNE MAISONNETTE A PARTIR DES PLANS DE CE MODELE NECESSITE AUSSI OBLIGATOIREMENT L'OBTENTION D'UNE LICENCE.



CUSTOMER INFO

PROJECT INFO

PLAYHOUSE

DRAWING

SECTIONS AND DETAILS

SCALE	3/16"=1'-0"	CHECKED BY	M.S.
DATE	27/06/2024	DRAWN BY	B.R.
PLAN NO.	9987	DESIGNED BY	D.C.
SHEET NO.			2-2

DRUMMOND HOUSEPLANS.COM ALL RIGHTS RESERVED

<u>QTY</u>		<u>DESCRIPTION</u>	<u>MMS</u>
		<u>Floor Framing (Treated)</u>	
9	EA	4"x8" Concrete Blocks	139259
4	EA	2x4x12' Rim / Beam	144646
6	EA	2x4x10' Rim / Beam	144645
6	EA	2x4x10' Joists	144645
2	EA	2x4x12' Blocking	144646
4	EA	1/2"x4"x8' OSB Sheathing	113808
24	EA	2x4 Single Joist Hangers	295813
		<u>Wall Framing</u>	
3	EA	2x4x8' Plates	114624
3	EA	2x4x12' Plates	114626
1	EA	2x4x8' Blocking	114624
1	EA	2x4x12' Blocking	114626
7	EA	2x4x10' Studs	114625
7	EA	2x4x12' Studs	114626
2	EA	2x4x8' Lintels	114624
3	EA	2x4x12' Cripples / Jacks	114626
4	EA	1/2"x4"x8' OSB Sheathing	113808
14	SQ.FT	Stone Look Siding	S/O
90	SQ.FT	Vertical Siding	S/O
1	EA	1x8x8' Trim Board	145019
1	EA	1x4x8' Trim Board	145012
2	EA	Decorative Wall Brackets	S/O
		<u>Windows / Opening</u>	
4	EA	1x4x8'	145012
8	EA	1/4 Round Trim x 8'	113965
2	EA	24"x24" Plexiglass	S/O
2	EA	20"x22" Plexiglass	S/O
		<u>Door Framing</u>	
2	EA	1x4x8'	145012
1	EA	1/4"x4x8' Plywood	144985
3	EA	1x6x8'	145017
1	EA	Larson Handle	275965
		<u>Chimney Framing (Budget Only)</u>	
2	EA	2x4x8' Framing	144644
1	EA	1/2"x4x8' OSB Sheathing	113808
4	SQ.FT	Vertical Canexel Siding White	S/O
1	LF	24" White Alum Flatstock	132779
		<u>Roof Framing Material</u>	
1	EA	2x6x8' Beam	114629
3	EA	2x4x10' Rafters / Ceiling Joists	114625
3	EA	2x4x12' Rafters / Ceiling Joists	114626
3	EA	1/2"x4x8' Plywood Sheathing & Gussets	
2	EA	1x4x10' Sub Fascia	248398
5	EA	1x4x8' Sub Fascia	145012
3	EA	Mystique 2 Tone Black Shingles	283336
1	EA	Dakota 2 Tone Black Shingles	283324
0,25	ROLL	Roofing Felt Paper	113883
5	EA	Alum Metal Shingle Starter x 10'	132784
5	EA	4" Fascia Trim x 10'	132781
8	EA	Roof Flashing at Chimney	132855
2	EA	12" Soffit	132741

(For Exact Colors & Styles Refer To Moodboard)

(Hardware & Caulking To Be Verified)

