



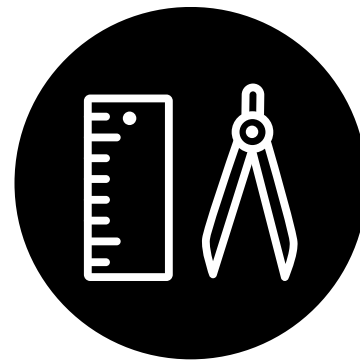
DRUMMOND
HOUSE PLANS  **YOUR
BEST
PLAN**



**READY-TO-BUILD
& CUSTOMIZABLE**
1500 PLANS



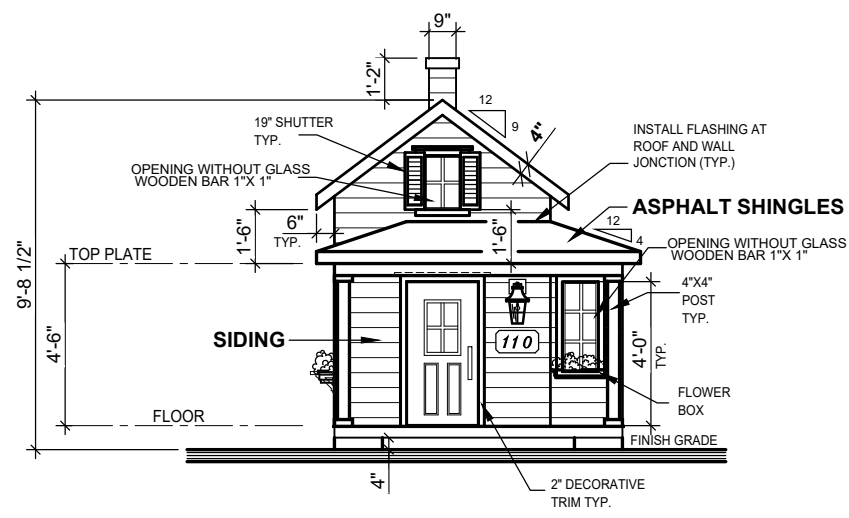
**RENOVATION &
ENLARGEMENT**
PLANS



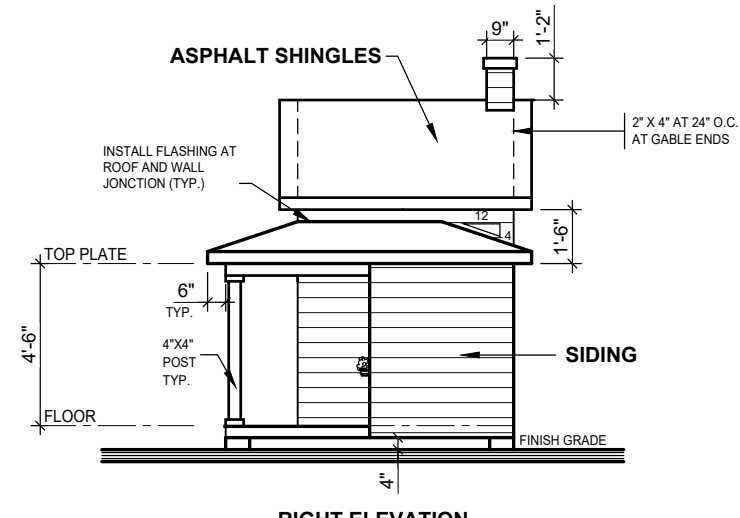
CUSTOM
PLANS



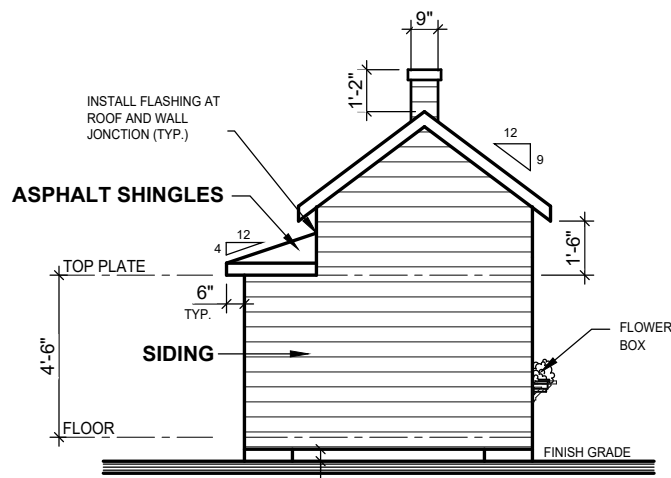
**INTERIOR
DESIGN**



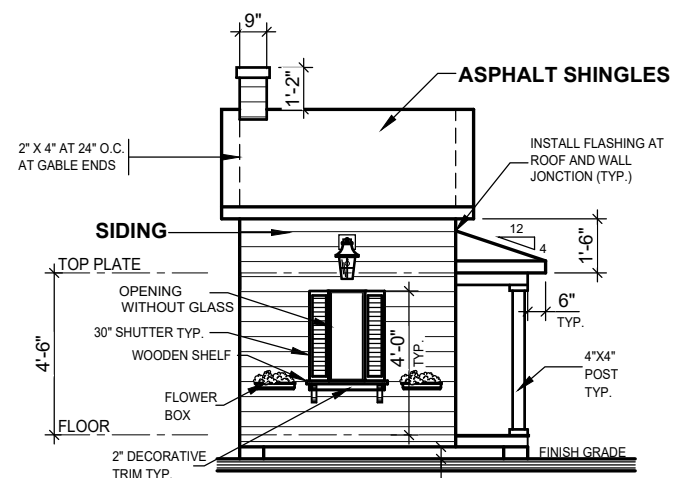
FRONT ELEVATION



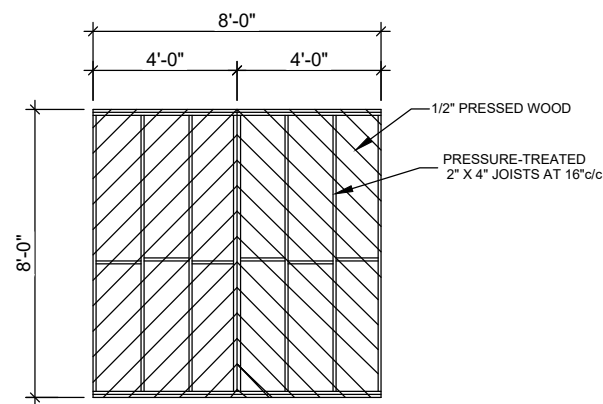
RIGHT ELEVATION



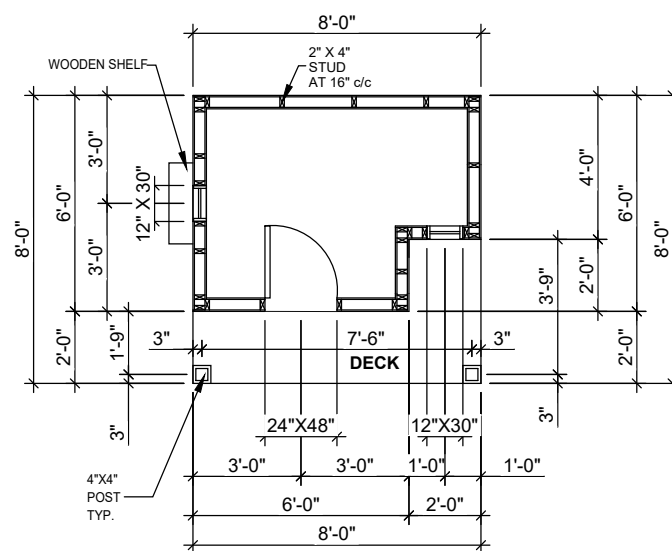
REAR ELEVATION



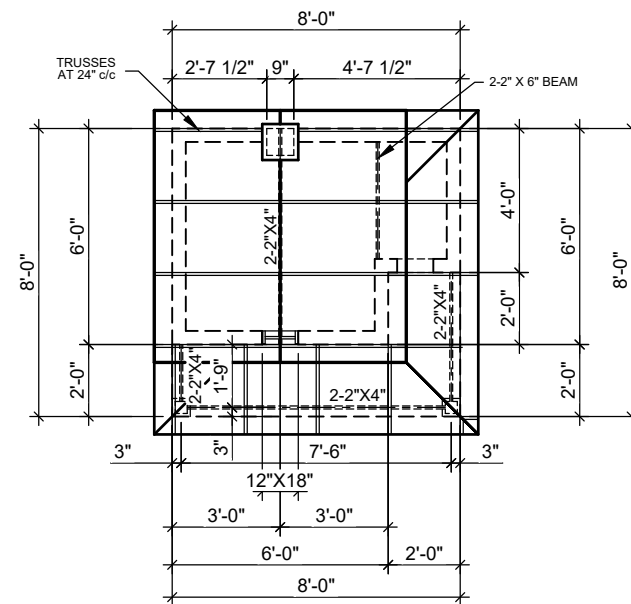
LEFT ELEVATION



FLOOR



PLAN



ROOF PLAN

NOTE

THIS PRESENTS INCLUDES DIMENSIONS AND INFORMATION TO BUILD FOR MATERIALS NOTED. MATERIALS MAY VARY IN PRICE AND QUALITY. YOU MAY BE ABLE TO CHANGE MATERIALS TO SAVE MONEY. HOWEVER, YOU MUST CONSULT A LOCAL BUILDING PROFESSIONAL OR CONTRACTOR TO BUILD THIS TYPE OF PLAYHOUSE.

LA CONSTRUCTION DE CE TYPE DE MAISONNETTE PEUT CHANGER DES DIMENSIONS ET DES INFORMATIONS POUR S'ADAPTER À VOS BESOINS DE CONSTRUCTION. VOUS DEVEZ CONSULTER UN PROFESSIONNEL LOCAL POUR BÂTIR CE TYPE DE MAISONNETTE.

THIS PLAN PROVIDES INFORMATION FOR THE CONSTRUCTION OF A PLAYHOUSE. THE PURCHASE OF A PLAYHOUSE PLAN DOES NOT INCLUDE THE LICENSE FOR ANY JURISDICTION. YOU MUST OBTAIN THE NECESSARY LICENSES AND PERMITS FROM THE LOCAL BUILDING DEPARTMENT BEFORE CONSTRUCTION. THE PURCHASE OF A PLAYHOUSE PLAN DOES NOT INCLUDE THE LICENSE FOR ANY JURISDICTION. YOU MUST OBTAIN THE NECESSARY LICENSES AND PERMITS FROM THE LOCAL BUILDING DEPARTMENT BEFORE CONSTRUCTION.



DRUMMONDHOUSEPLANS.COM ALL RIGHTS RESERVED

CUSTOMER INFO

PROJECT INFO

PLAYHOUSE

DRAWING

ELEVATIONS AND FLOORS

SCALE	3/16"=1'-0"	CHECKED BY	M.S.
DATE	27/06/2024	DRAWN BY	B.R.
PLAN NO.	9983	DESIGNED BY	D.C.
SHEET NO.	1-2		

DRUMMOND HOUSE PLANS

NOTE

THIS PLAN CONTAINS ALL DIMENSIONS AND DIRECTIONS TO BUILD FOR MATERIALS NEARLY AS SPECIFIED. YOU MAY BE REQUIRED TO MAKE CHANGES TO THIS PLAN TO BUILD THIS TYPE OF PLAYHOUSE.

LA CONSTRUCTION DE CE TYPE DE MAISONNETTE PEUT EXIGER DES CORRECTIONS ET DES MODIFICATIONS. VOUS POURRÊTES ÊTRE TENUS DE FAIRE DES CHANGEMENTS À CE PLAN POUR POUVOIR CONSTRUIRE CE TYPE DE MAISONNETTE.

FOR FURTHER INFORMATION, YOU MAY VISIT DRUMMONDHOUSEPLANS.COM. THIS PLAN IS PROVIDED AS A SERVICE TO OUR CUSTOMERS. IT IS NOT A CONTRACT. THE PURCHASE OF A PLAYHOUSE PLAN DOES NOT INCLUDE THE LICENSE FOR REPRODUCING OR TRANSMITTING IN ANY FORM OR BY ANY MEANS, ELECTRONIC OR MECHANICAL, INCLUDING PHOTOCOPYING, RECORDING, OR BY ANY INFORMATION STORAGE AND RETRIEVAL SYSTEM.

POUR PLUS D'INFORMATIONS, VOUS POUVEZ VISITER LE SITE DRUMMONDHOUSEPLANS.COM. CE PLAN EST FOURNI EN QUALITÉ DE SERVICE À NOS CLIENTS. IL NE S'AGIT PAS D'UN CONTRAT. L'ACHAT D'UN PLAN DE MAISONNETTE NE VOUS PERMET PAS D'UTILISER CE MODÈLE À DES FINS PUBLICITAIRES, À MOINS D'OBTENIR PRÉALABLEMENT UNE LICENCE. LA CONSTRUCTION DE PLUS D'UNE MAISONNETTE À PARTIR DES PLANS DE CE MODÈLE NÉCESSITE AUSSI OBLIGATOIREMENT L'OBTENTION D'UNE LICENCE.



DRUMMOND HOUSEPLANS.COM ALL RIGHTS RESERVED

CUSTOMER INFO

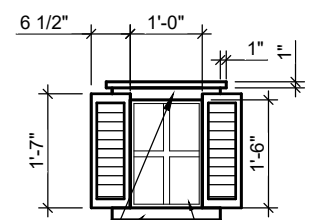
PROJECT INFO

PLAYHOUSE

DRAWING

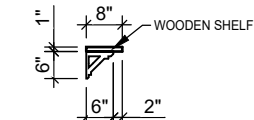
SECTIONS AND DETAILS

SCALE	3/16"=1'-0"	CHECKED BY	M.S.
DATE	27/06/2024	DRAWN BY	B.R.
PLAN NO.	9983	DESIGNED BY	D.C.
SHEET NO.	2-2		

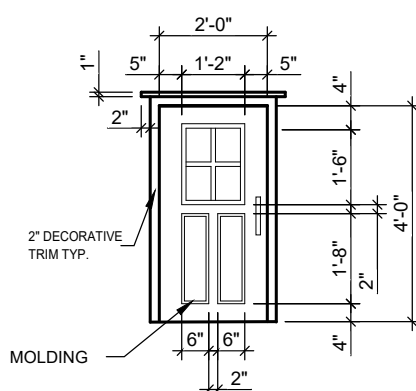


2" DECORATIVE TRIM TYP.
FALSE WINDOW
1/2" PLYWOOD + FACING

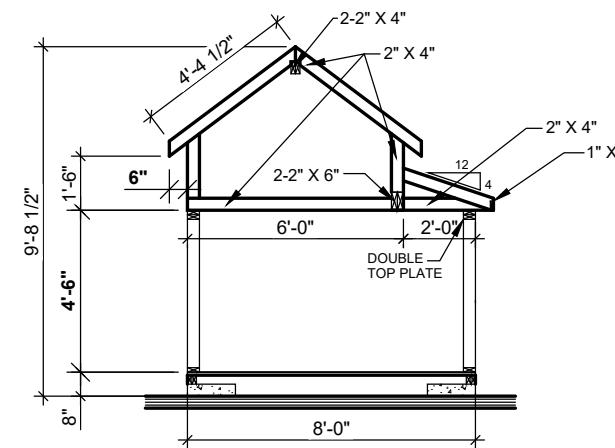
FALSE WINDOW DETAIL
(SCALE 3/8" = 1'-0")



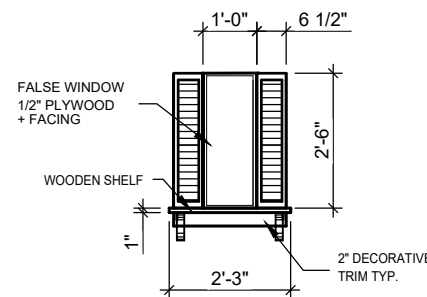
DECORATIVE SQUARE
(SCALE 3/8" = 1'-0")



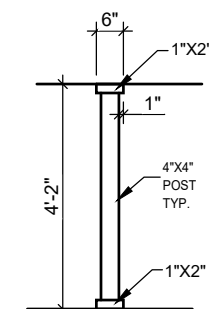
DOOR STYLE
(SCALE 3/8" = 1'-0")



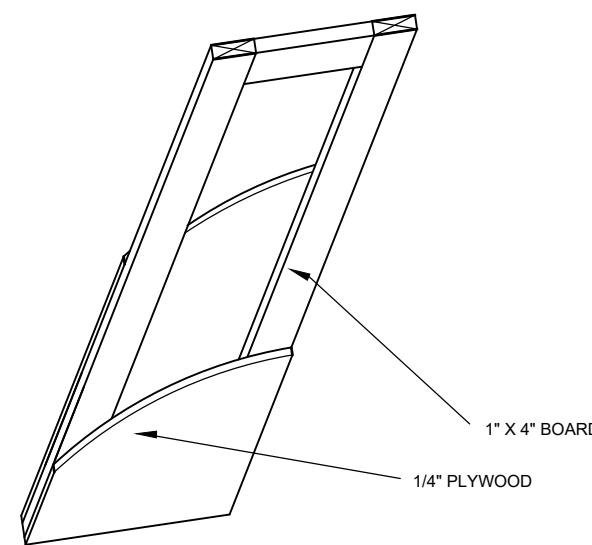
SECTION



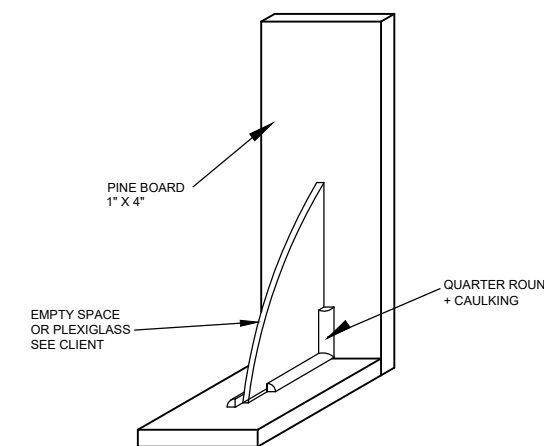
FALSE WINDOW DETAIL
(SCALE 3/8" = 1'-0")



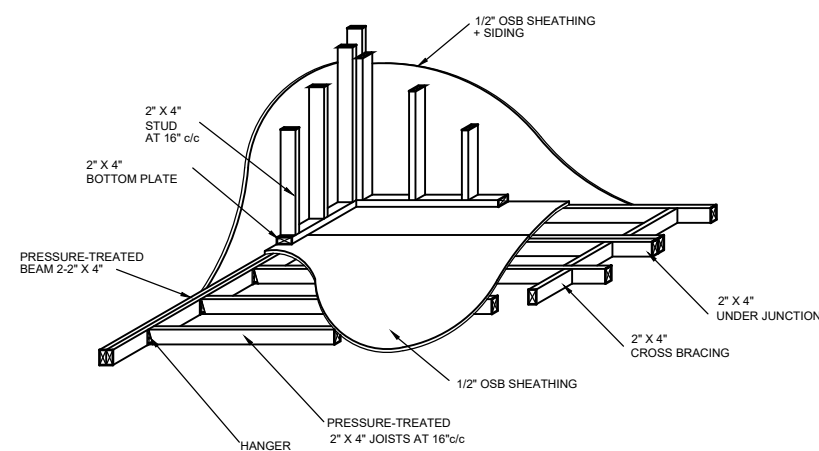
COLUMN SECTION
(SCALE 3/8" = 1'-0")



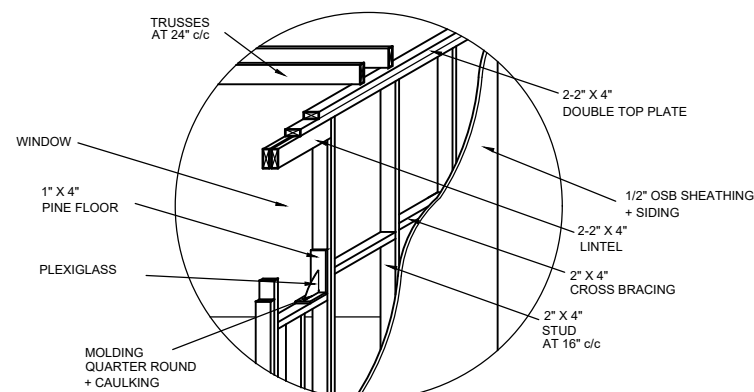
DOOR SECTION
NO SCALE



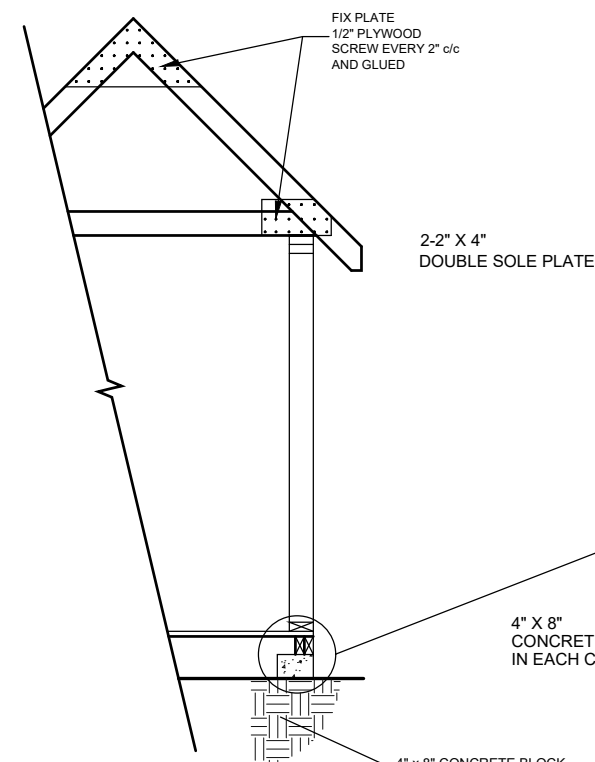
WINDOW SECTION
NO SCALE



COLUMN SECTION
(NO SCALE)



OPENING SECTION
(WITHOUT SCALE)



ASSEMBLY DETAIL
NO SCALE

<u>QTY</u>		<u>DESCRIPTION</u>	<u>MMS #</u>
		<u>Floor Framing (Treated)</u>	
4	EA	4"x8" Concrete Blocks	139259
8	EA	2x4x8' Rim / Beam	144644
6	EA	2x4x8' Joists	144644
1	EA	2x4x8' Blocking	144644
2	EA	1/2"x4'x8' OSB Sheathing	113808
2	EA	2x4 Double Joist Hangers	293969
8	EA	2x4 Single Joist Hangers	295813
		<u>Wall Framing</u>	
6	EA	2x4x8' Plates	114624
3	EA	2x4x12' Plates	114626
2	EA	2x4x8' Blocking	114624
1	EA	2x4x12' Blocking	114626
20	EA	2x4x10' Studs	114625
6	EA	2x4x8' Studs	114624
2	EA	2x4x8' Lintels	114624
3	EA	2x4x12' Cripples / Jacks	114626
7	EA	1/2"x4'x8' OSB Sheathing	113808
178	SQ.FT	Horizontal Canexel Siding V-Style	S/O
1	SQ.FT	Decorative Solar Light	S/O
3	EA	Flower Boxes	S/O
2	LF	Decorative Angle Brackets	S/O
36	PCS	Wall Flashing	132855
		<u>Window / Opening / Shutters</u>	
1	EA	1/4" Plywood	144985
2	EA	1x4x8'	145012
2	EA	1/4 Round Trim x 8'	113965
1	EA	1x1x8' Grill	131709
3	EA	2x2x8'	205203
6	EA	1x2x8'	145008
1	EA	12"x18" Plexiglass	S/O
		<u>Door Framing</u>	
2	EA	1x6x8'	145017
1	EA	1/4"x4x8' Plywood	144985
2	EA	1x2x8' Trim	145008
3	EA	1x1x8' Trim	131709
2	EA	1/4 Round Trim x 8'	113965
1	EA	Larson Brushed Nickel Lever	302335
1	EA	14"x18" Plexiglass	S/O
		<u>Porch Material (PT)</u>	
1	EA	4x4x10' Post	144667
4	EA	2x4x8' Beams	144644
2	EA	1x2x8' Trim	121996
		<u>Roof Framing Material</u>	
7	EA	2x4x10' Rafters / Ceiling Joists	114625
3	EA	2x4x8' Rafters / Ceiling Joists	114624
2	EA	2x4x12' Ceiling Joists	114626
1	EA	2x6x8' Beam	114629
1	EA	2x4x8' Beam	114624
6	EA	2x4 Single Joist Hangers	295813
4	EA	1/2"x4x8' Plywood Sheathing & Gussets	113776
4	EA	1x4x10' Sub Fascia	248398
3	EA	1x4x8' Sub Fascia	167860
3	EA	Mystique 2 Tone Black Shingles	283336
2	EA	Dakota 2 Tone Black Shingles	283324
0,5	ROLL	Roofing Felt Paper	113883
7	EA	Alum Metal Shingle Starter x 10'	132784
7	EA	4" Fascia Trim x 10'	132781
10	PCS	Roof Flashing at Chimney	132855
3	PCS	12" Soffit	132741
		<u>Chimney Framing (Budget Only)</u>	
1	EA	2x4x8' Framing	114624
1	EA	1/2"x4x8' OSB Sheathing	113808
3	SQ.FT	Vertical Canexel Siding White	S/O
1	LF	24" White Alum Flatstock	132779

(For Exact Colors & Styles Refer To Moodboard)

(Hardware & Caulking To Be Verified)

