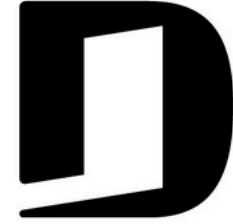




DESSINS
DRUMMOND  VOTRE
MEILLEUR
PLAN

DRUMMOND HOUSE PLANS



YOUR
BEST
PLAN



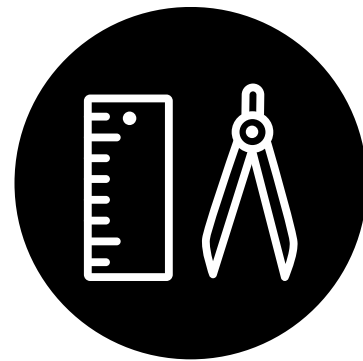
**READY-TO-BUILD
& CUSTOMIZABLE**

1500 PLANS



**RENOVATION &
ENLARGEMENT**

PLANS



**CUSTOM
PLANS**



**INTERIOR
DESIGN**



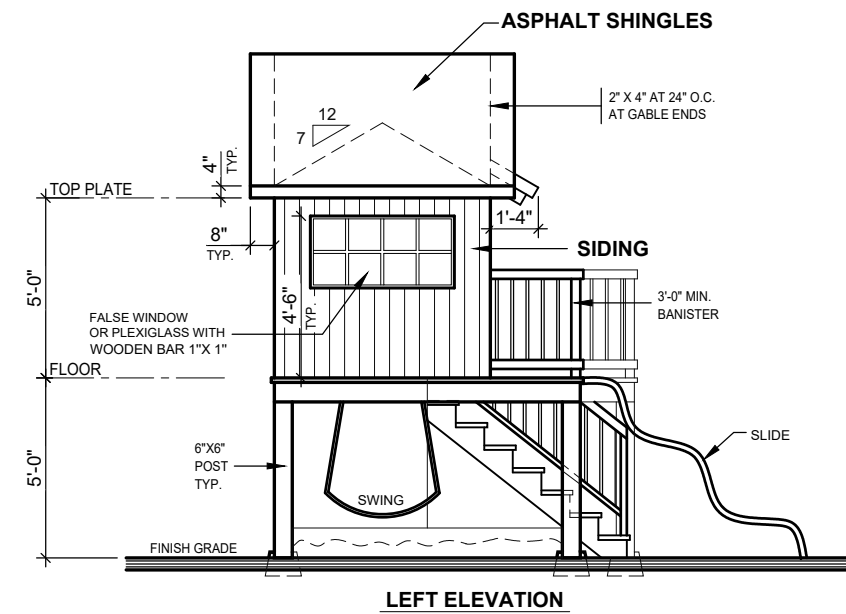
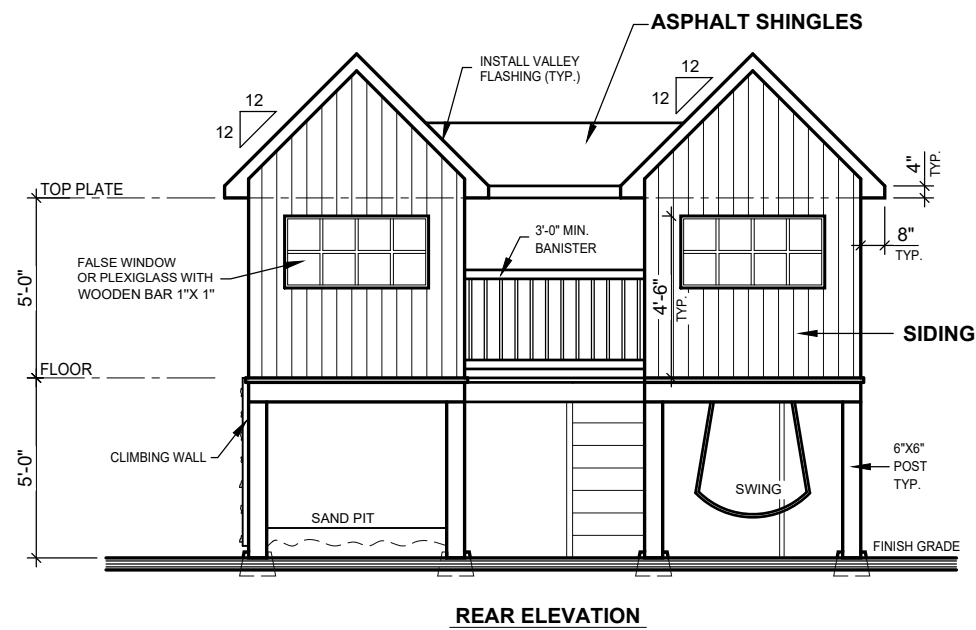
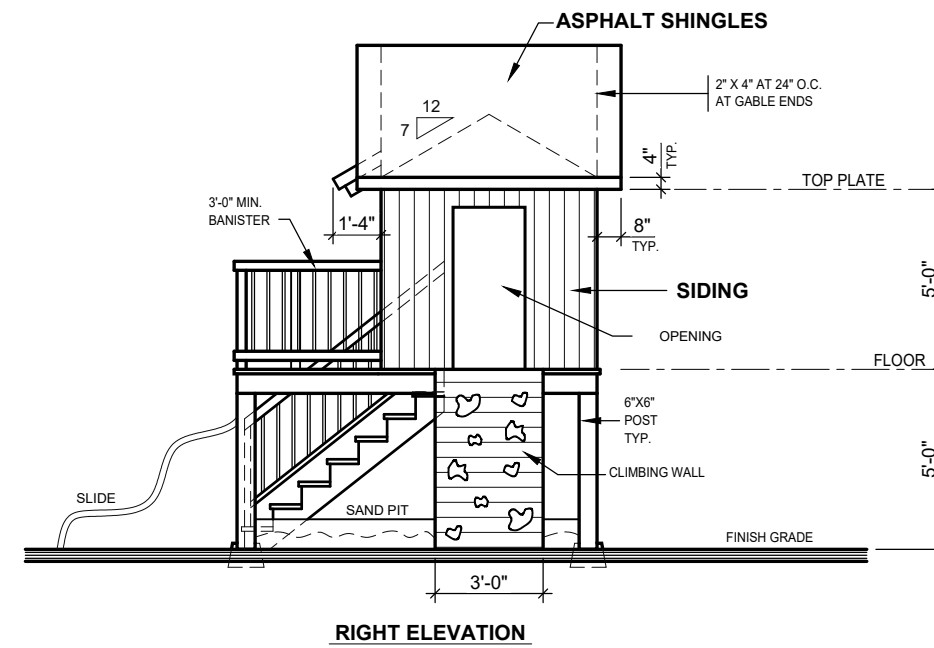
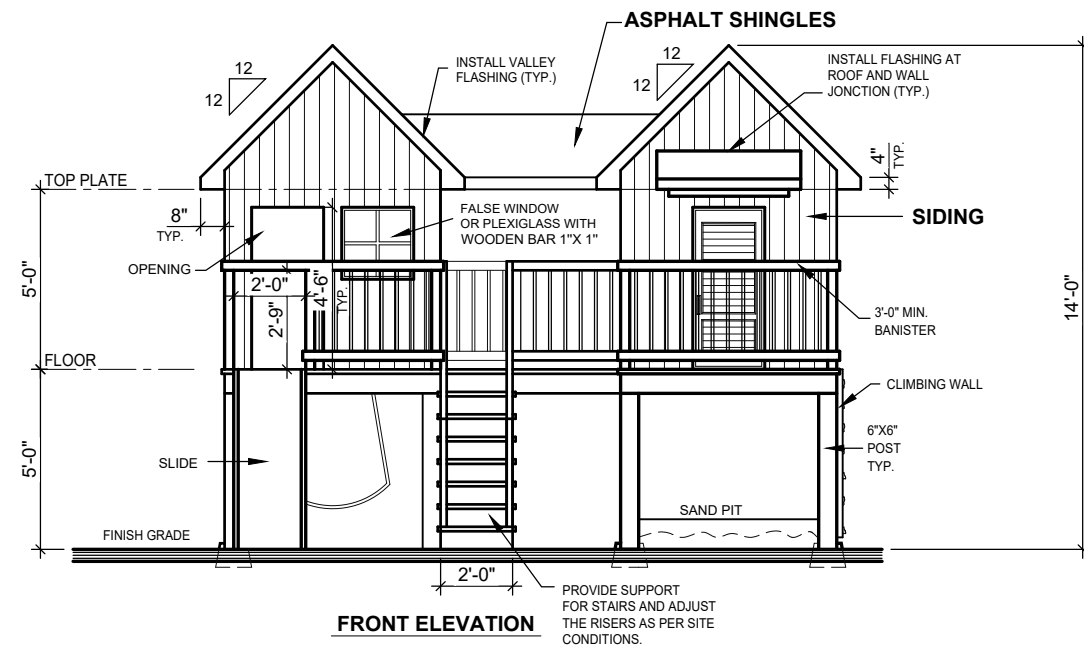
1-800-567-5267



INFO@DRUMMONDHOUSEPLANS.COM



WWW.DRUMMONDHOUSEPLANS.COM



NOTE

THIS DRAWING CONTAINS DIMENSIONS AND INFORMATION TO BUILD FROM MATERIALS NOTED. YOU MAY BE ABLE TO SUBSTITUTE OTHER MATERIALS OR METHODS OF CONSTRUCTION MAY BE NECESSARY TO BUILD THIS TYPE OF PLAYHOUSE.

LA CONSTRUCTION DE CE TYPE DE MAISONNETTE PEUT EXIGER DES CONNAISSANCES EN INGÉNIEURIE DE CONSTRUCTION. IL PEUT ÊTRE NÉCESSAIRE D'ADAPTER À VOS SITUATIONS DE CONSTRUCTION. IL PEUT ÊTRE NÉCESSAIRE D'ADAPTER À VOS SITUATIONS DE CONSTRUCTION.

THIS DRAWING CONTAINS DIMENSIONS AND INFORMATION TO BUILD FROM MATERIALS NOTED. YOU MAY BE ABLE TO SUBSTITUTE OTHER MATERIALS OR METHODS OF CONSTRUCTION MAY BE NECESSARY TO BUILD THIS TYPE OF PLAYHOUSE.



DRUMMONDHOUSEPLANS.COM ALL RIGHTS RESERVED

CUSTOMER INFO

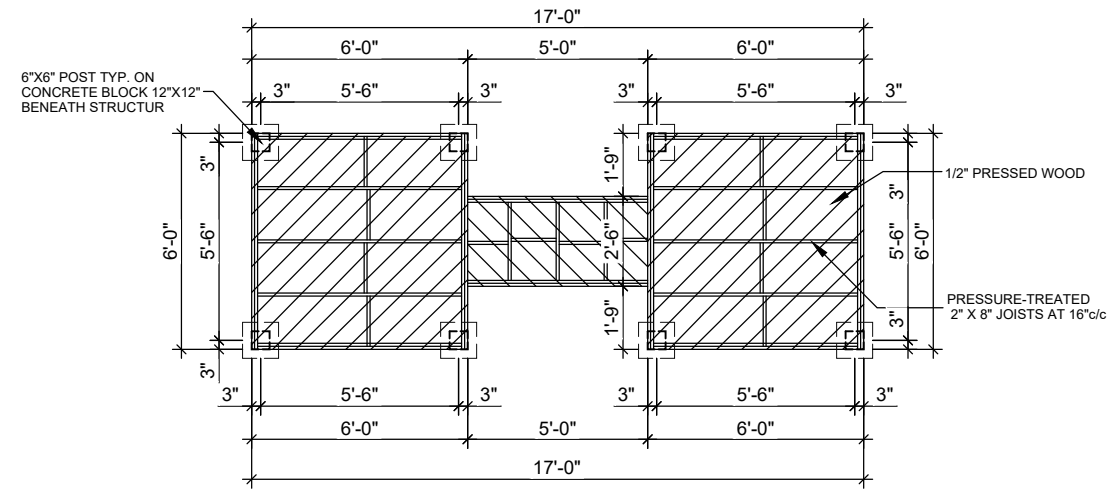
PROJECT INFO

PLAYHOUSE

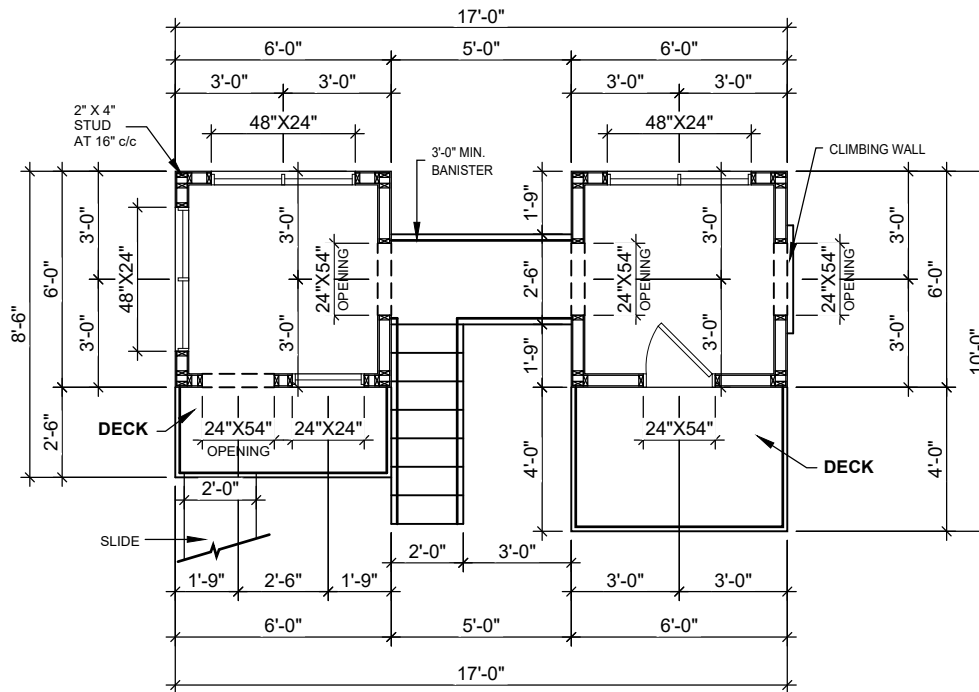
DRAWING

ELEVATIONS

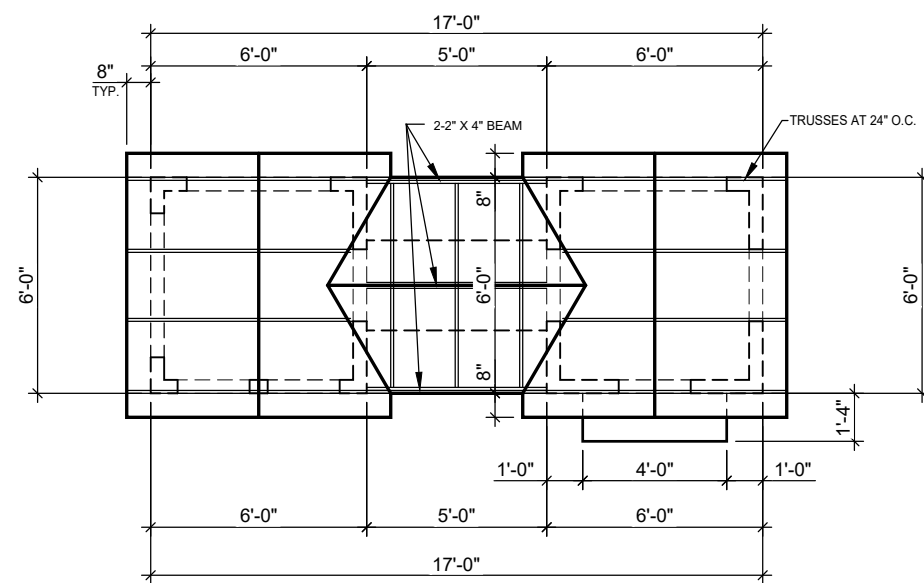
SCALE	3/16"=1'-0"	CHECKED BY	M.S.
DATE	27/06/2024	DRAWN BY	B.R.
PLAN NO.	9982	DESIGNED BY	D.C.
SHEET NO.	1-3		



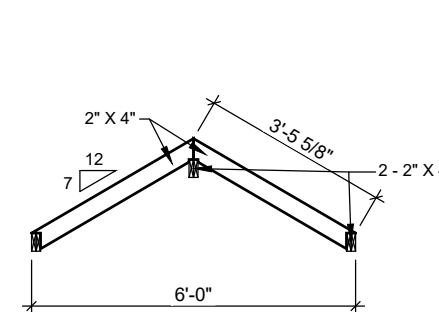
FLOOR



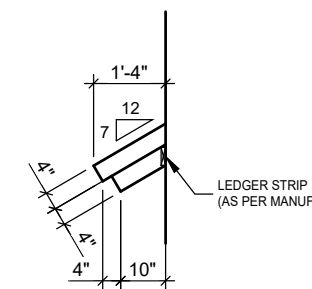
PLAN



ROOF PLAN



TRUSS SECTION
(SCALE 3/8" = 1'-0")



TRUSS SECTION
(SCALE 3/8" = 1'-0")

NOTE

THIS PLAN CONTAINS ALL DIMENSIONS AND DIMENSIONS TO BUILD FOR MATERIALS. NO OTHER DIMENSIONS ARE TO BE USED UNLESS OTHERWISE NOTED. YOU MUST CONSULT A LOCAL BUILDING DEPARTMENT FOR ANY LOCAL BUILDING CODES OF CONSTRUCTION THAT MAY APPLY TO THIS TYPE OF PLAYHOUSE.

LA CONSTRUCTION DE CE TYPE DE MAISONNETTE PEUT EXIGER DES PERMIS LOCAUX. VOUS DEVEZ CONSULTER LE DÉPARTEMENT LOCAL DES BÂTIMENTS POUR OBTENIR LES RÈGLES D'ÉDIFICATION QUI S'APPLIQUENT À CE TYPE DE MAISONNETTE.

POUR PLUS D'INFORMATION, VOUS DEVREZ CONSULTER LE DÉPARTEMENT LOCAL DES BÂTIMENTS. LA REPRODUCTION STRICTEMENT FONCTIONNELLE DE CE PLAN DE MAISONNETTE NE VOUS PERMET PAS D'UTILISER CE MODÈLE À DES FINS PUBLICITAIRES, À MOINS D'OBTENIR PRÉALABLEMENT UNE LICENCE. LA CONSTRUCTION DE PLUS D'UNE MAISONNETTE À PARTIR DES PLANS DE CE MODÈLE NECESSITE AUSSI OBLIGATOIREMENT L'OBTENTION D'UNE LICENCE.



DRUMMOND HOUSEPLANS.COM ALL RIGHTS RESERVED

CUSTOMER INFO

PROJECT INFO

PLAYHOUSE

DRAWING

FLOORS AND TRUSSES

SCALE	3/16"=1'-0"	CHECKED BY	M.S.
DATE	27/06/2024	DRAWN BY	B.R.
PLAN NO.	9982	DESIGNED BY	D.C.
SHEET NO.	2-3		



NOTE

THIS PRESENTATION INCLUDES DIMENSIONS AND INFORMATION TO BUILD FOR MATERIALS NOTED. MAXIMUM HEIGHT TO BE NOTED. THIS PLAN MAY BE CHANGED FOR SAFETY AND KNOWLEDGE OF CONSTRUCTION MAY BE NEEDED TO BUILD THIS TYPE OF PLAYHOUSE.

LA CONSTRUCTION DE CE TYPE DE MAISONNETTE PEUT ÊTRE CHANGÉE POUR S'ADAPTER À VOS CONNAISSANCES DE CONSTRUCTION. DES CHANGEMENTS DE CONSTRUCTION PEUT ÊTRE NÉCESSAIRE POUR CONSTRUIRE CE TYPE DE MAISONNETTE.

THIS PRESENTATION INCLUDES DIMENSIONS AND INFORMATION TO BUILD FOR MATERIALS NOTED. MAXIMUM HEIGHT TO BE NOTED. THIS PLAN MAY BE CHANGED FOR SAFETY AND KNOWLEDGE OF CONSTRUCTION MAY BE NEEDED TO BUILD THIS TYPE OF PLAYHOUSE.



DRUMMOND HOUSEPLANS.COM ALL RIGHTS RESERVED

CUSTOMER INFO

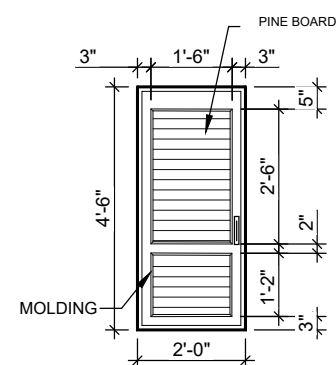
PROJECT INFO

PLAYHOUSE

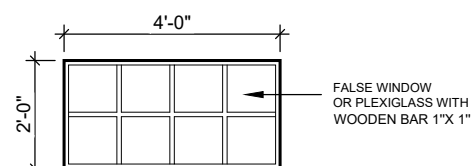
DRAWING

SECTIONS AND DETAILS

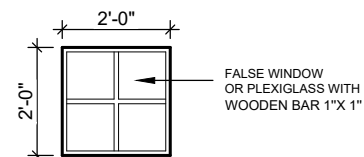
SCALE	3/16"=1'-0"	CHECKED BY	M.S.
DATE	27/06/2024	DRAWN BY	B.R.
PLAN NO.	9982	DESIGNED BY	D.C.
SHEET NO.			3-3



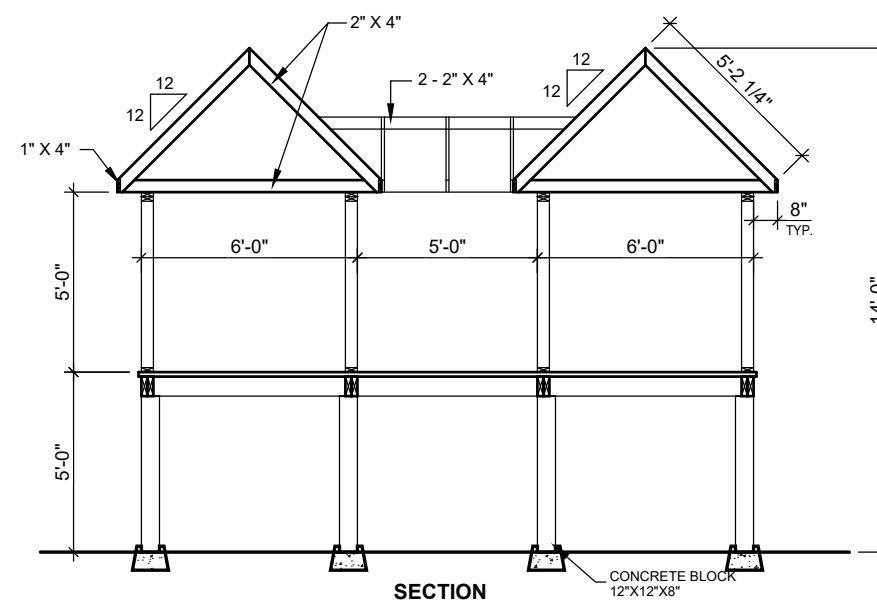
DOOR STYLE
(SCALE 3/8" = 1'-0")



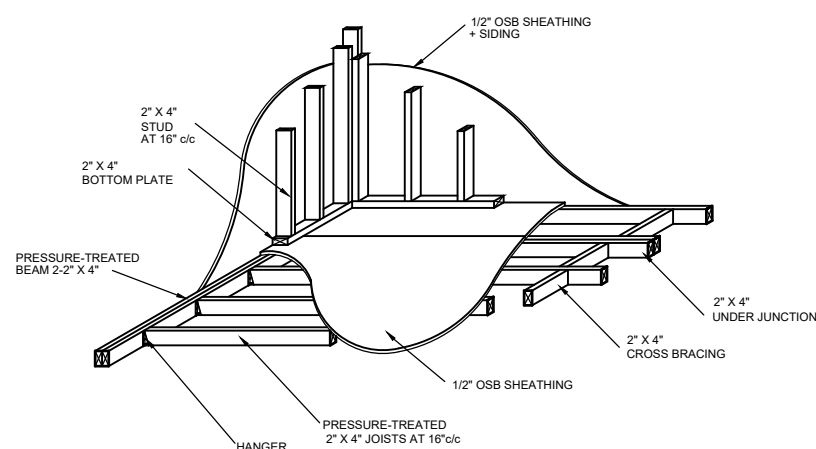
WINDOW DETAIL
(SCALE 3/8" = 1'-0")



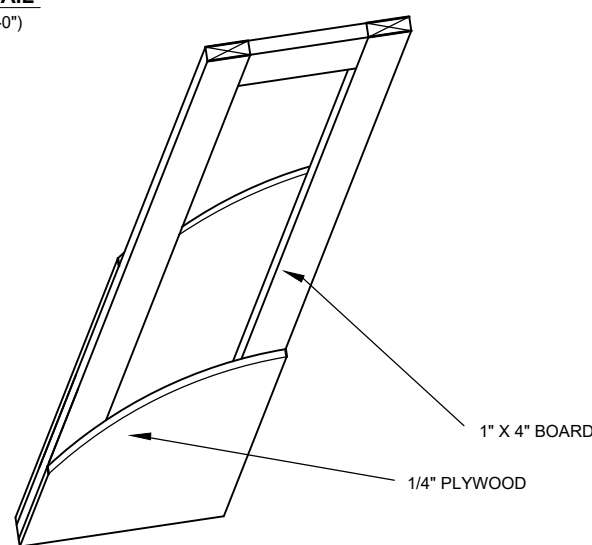
WINDOW DETAIL
(SCALE 3/8" = 1'-0")



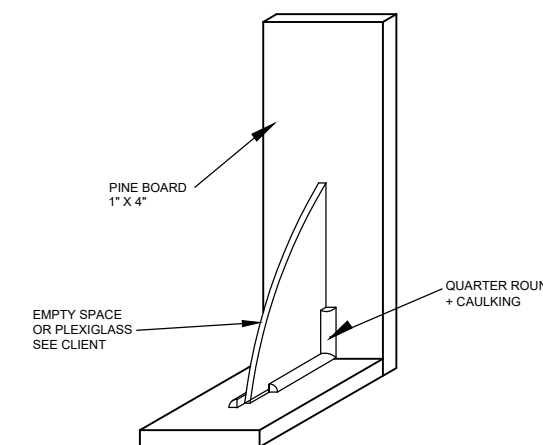
SECTION



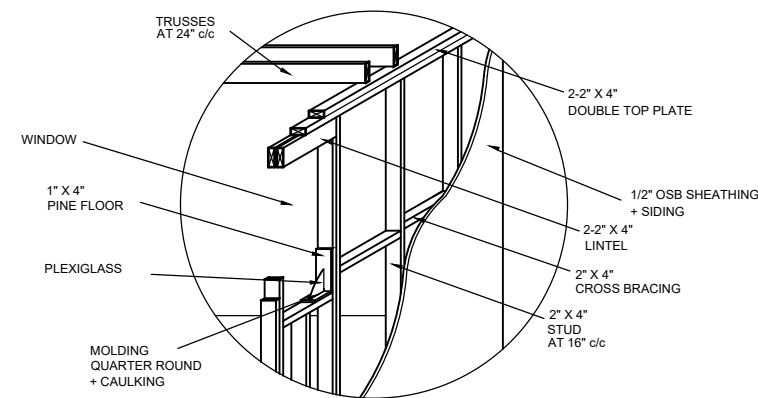
COLUMN SECTION
(NO SCALE)



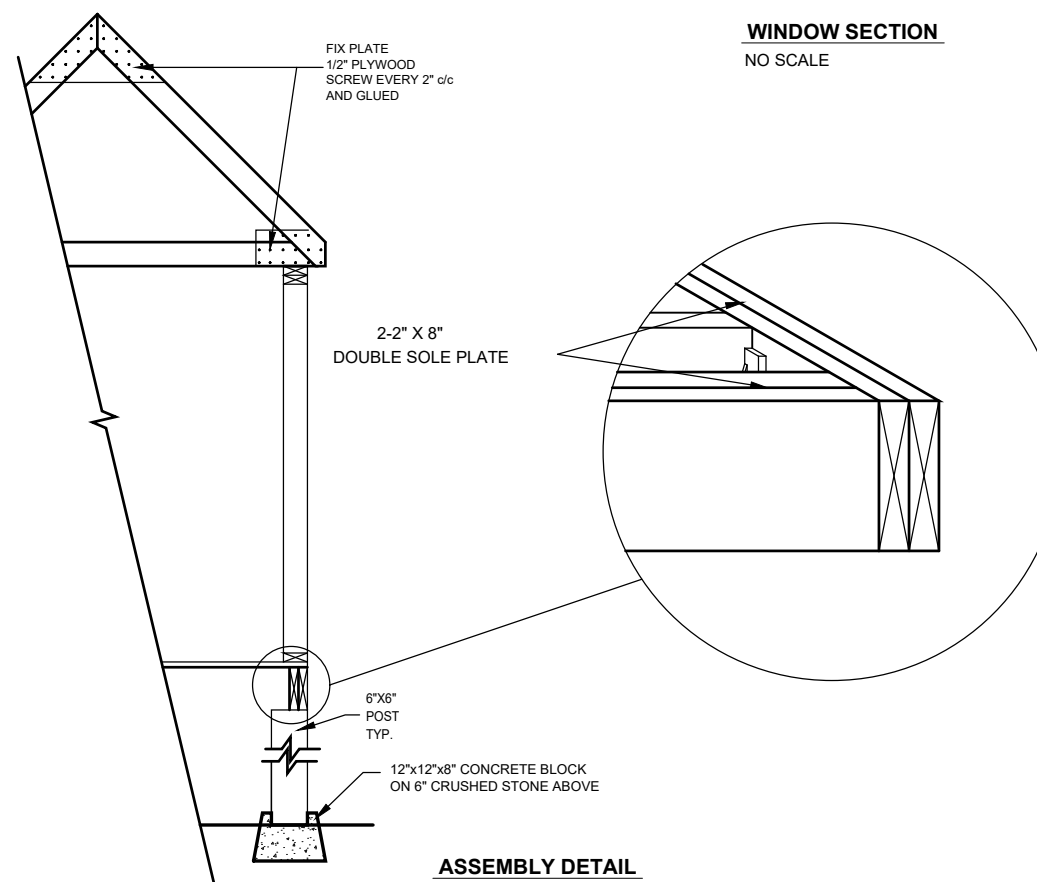
DOOR SECTION
(NO SCALE)



WINDOW SECTION
(NO SCALE)



OPENING SECTION
(WITHOUT SCALE)



ASSEMBLY DETAIL
(NO SCALE)

<u>QTY</u>		<u>DESCRIPTION</u>	<u>MMS #</u>
		<u>Floor Framing (Treated)</u>	
8	EA	6" Concrete Deck Blocks	139257
4	EA	6x6x10' Posts	144670
9	EA	2x8x12' Rim / Beam	144655
12	EA	2x8x10' Rim / Beam	144654
3	EA	2x8x12' Joists	144655
1	EA	2x8x10' Joists	144654
2	EA	2x8x10' Blocking	144654
4	EA	1/2"x4'x8' OSB Sheathing	113808
40	EA	2x8 Single Joist Hangers	295806
		<u>Decks & Railing (Treated)</u>	
3	EA	5/4x6x12' Decking	144641
7	EA	5/4x6x8' Decking	144639
8	EA	2x4x8' Railing	144644
1	EA	2x4x10' Railing	144645
2	EA	2x4x12' Railing	144646
55	EA	2x2x8' (Balusters)	148046
1	EA	Slide	S/O
1	EA	Saucer Swing	S/O
		<u>Climbing Wall (Treated)</u>	
1	EA	2x4x16'	144648
9	EA	2x4x10'	144645
		<u>Sand Box (Treated)</u>	
2	EA	2x10x10'	144659
1	EA	2x10x12'	144660
		<u>Wall Framing</u>	
12	EA	2x4x12' Plates	114626
4	EA	2x4x12' Blocking	114626
32	EA	2x4x10' Studs	114625
4	EA	2x4x8' Lintels	114624
4	EA	2x4x12' Cripples / Jacks	114626
9	EA	1/2"x4'x8' OSB Sheathing	113808
218	SQ.FT	Vertical Canoxel V-Style Siding	S/O
1	EA	48" Wide Awning Unit	S/O
10	PCS	Wall Flashing	132855
		<u>Window Framing</u>	
6	EA	1x4x8'	145012
12	EA	1/4" Round Trim x 8'	113965
3	EA	1x2x8' Grill (Ripped in half)	145008
3	EA	48"x24" Plexiglass	S/O
1	EA	24"x24" Plexiglass	S/O
		<u>Door Framing</u>	
1	EA	1x4x10'	248398
1	EA	1x4x8'	145012
1	EA	1x6x8'	145017
1	EA	1/4"x4x8' Plywood	144985
5	EA	1x3x8' Trim	145010
4	EA	1x1x8' Trim	131709
1	EA	Weiser Lever Black Handle	301826
		<u>Roof Framing Material</u>	
8	EA	2x4x12' Rafter / Ceiling Joists	114626
13	EA	2x4x8' Rafter / Ceiling Joists	114624
9	EA	1/2"x4x8' Plywood Sheathing & Gussets	113776
2	EA	2x4x8' Beams	114624
2	EA	2x4x12' Beams	114626
4	EA	1x4x12' Sub Fascia	114664
1	EA	1x4x10' Sub Fascia	248398
3	EA	1x4x8' Sub Fascia	145012
8	EA	Mystique 2 Tone Black Shingles	283336
2	EA	Dakota 2 Tone Black Shingles	283324
0,5	ROLL	Roofing Felt Paper	113883
11	EA	Alum Metal Shingle Starter x 10'	132784
11	EA	4" Fascia Trim x 10'	132781
4	PCS	12" Wide Soffit	132741

(For Exact Colors & Styles Refer To Moodboard)

(Hardware & Caulking To Be Verified)

