



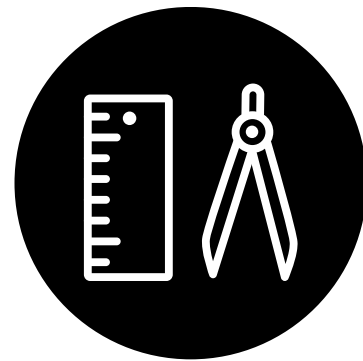
DRUMMOND
HOUSE PLANS  **YOUR
BEST
PLAN**



**READY-TO-BUILD
& CUSTOMIZABLE**
1500 PLANS



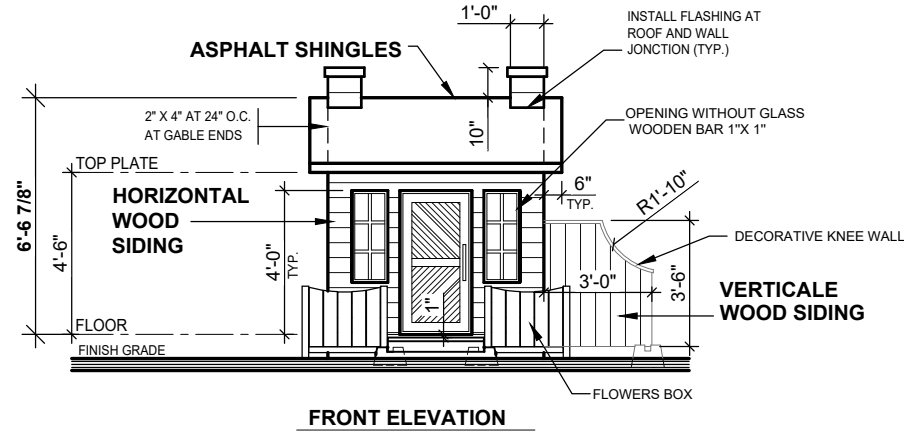
**RENOVATION &
ENLARGEMENT**
PLANS



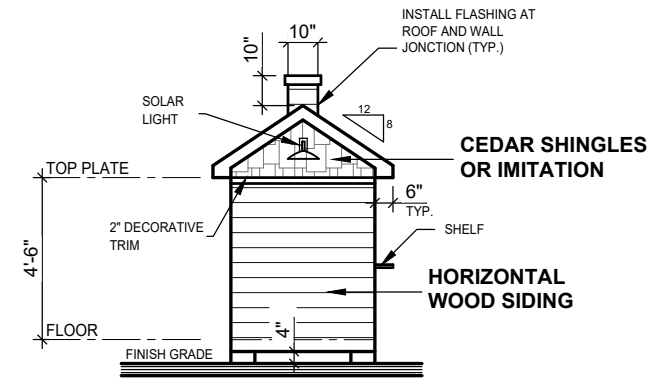
CUSTOM
PLANS



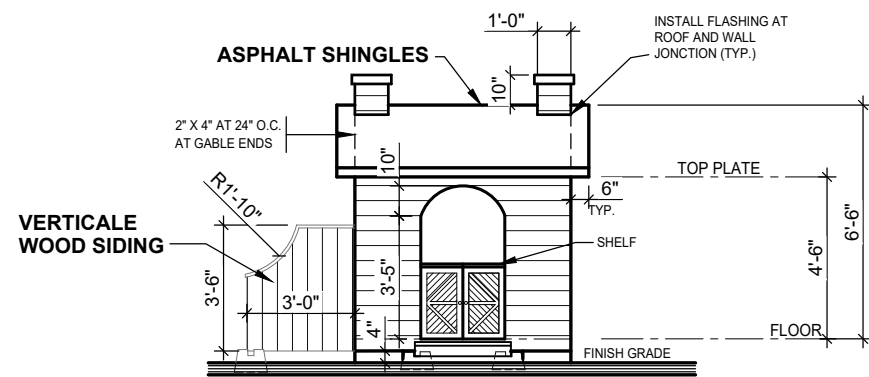
**INTERIOR
DESIGN**



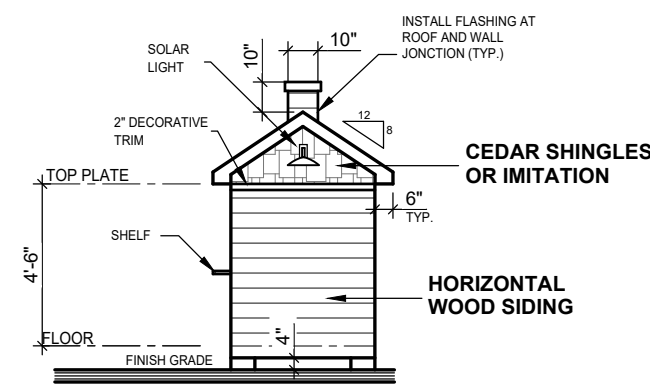
FRONT ELEVATION



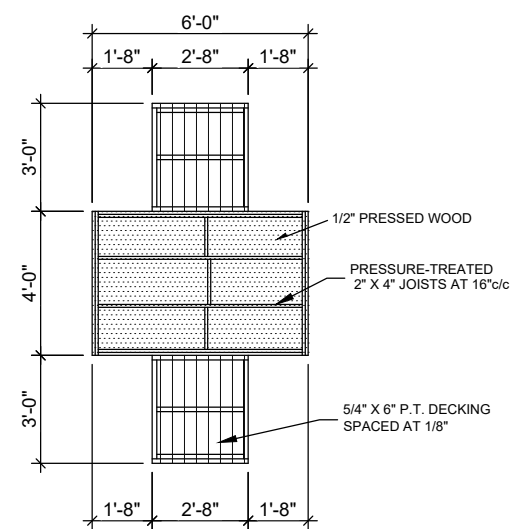
LEFT ELEVATION



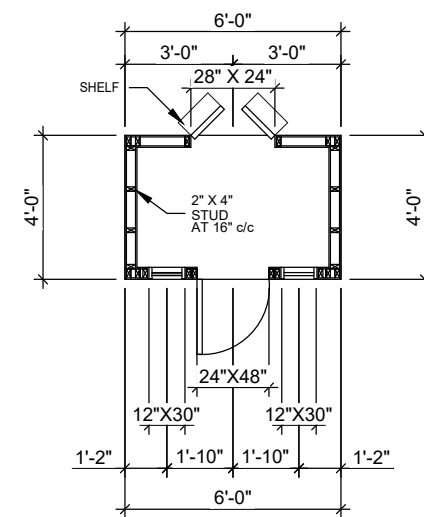
REAR ELEVATION



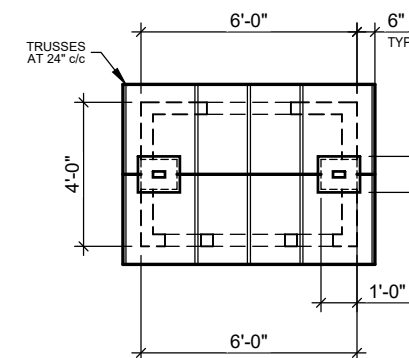
LEFT ELEVATION



FLOOR



PLAN



ROOF PLAN

NOTE

THIS PLAN CONTAINS ALL DIMENSIONS AND DIRECTIONS TO BUILD FOR MATERIALS NOTED. ANY CHANGES TO THIS PLAN MUST BE APPROVED BY THE ORIGINAL DESIGNER. ANY CHANGES TO THIS PLAN WITHOUT THE ORIGINAL DESIGNER'S PERMISSION ARE AT YOUR OWN RISK. THE CONSTRUCTION OF THIS TYPE OF HOUSEHOLD STRUCTURE IS NOT PERMITTED IN ANY JURISDICTION WITHOUT THE OBTAINMENT OF A LICENSE FROM THE APPROPRIATE GOVERNMENT AGENCIES. THE CONSTRUCTION OF THIS TYPE OF HOUSEHOLD STRUCTURE IS NOT PERMITTED IN ANY JURISDICTION WITHOUT THE OBTAINMENT OF A LICENSE FROM THE APPROPRIATE GOVERNMENT AGENCIES.

LA CONSTRUCTION DE CE TYPE DE MAISONNETTE N'EST PAS PERMISE SANS LA OBTENTION D'UNE LICENCE DES AUTORITES COMPETENTES. TOUTES LES MODIFICATIONS À CE PLAN DOIVENT ÊTRE APPRouvÉES PAR LE CONCEPTEUR ORIGINAL. TOUTES LES MODIFICATIONS À CE PLAN SANS LE CONSENTEMENT DU CONCEPTEUR ORIGINAL SONT À VOS PROPRES RISQUES. LE CONSTRUCTION DE CE TYPE DE MAISONNETTE N'EST PAS PERMISE SANS LA OBTENTION D'UNE LICENCE DES AUTORITES COMPETENTES. TOUTES LES MODIFICATIONS À CE PLAN DOIVENT ÊTRE APPRouvÉES PAR LE CONCEPTEUR ORIGINAL. TOUTES LES MODIFICATIONS À CE PLAN SANS LE CONSENTEMENT DU CONCEPTEUR ORIGINAL SONT À VOS PROPRES RISQUES.



DRUMMONDHOUSEPLANS.COM ALL RIGHTS RESERVED

CUSTOMER INFO

PROJECT INFO

PLAYHOUSE

DRAWING

ELEVATIONS AND FLOORS

SCALE	3/16"=1'-0"	CHECKED BY	M.S.
DATE	00/06/2024	DRAWN BY	M.S.
PLAN NO.	9980	DESIGNED BY	D.C.
SHEET NO.	1-2		

NOTE

THIS PLAN CONTAINS ALL DIMENSIONS AND DIRECTIONS TO BUILD FOR MATERIALS NEARLY AVAILABLE. IT IS YOUR RESPONSIBILITY TO VERIFY ALL DIMENSIONS AND DIRECTIONS BEFORE CONSTRUCTION. ANY CHANGES TO THIS PLAN MUST BE MADE AT YOUR OWN RISK. THE LICENSE FOR THIS PLAN DOES NOT INCLUDE THE LICENSE FOR REPRODUCING OR DISTRIBUTING THIS PLAN. ANY REPRODUCTION OR DISTRIBUTION OF THIS PLAN WITHOUT THE WRITTEN PERMISSION OF DRUMMOND HOUSE PLANS IS STRICTLY PROHIBITED. LA CONSTRUCTION DE CE TYPE DE MAISONNETTE NE DOIT ÊTRE ENTREPRISE QU'APRÈS AVOIR VÉRIFIÉ TOUTES LES DIMENSIONS ET LES DIRECTIONS. IL EST DE VOTRE RESPONSABILITÉ DE VÉRIFIER TOUS LES DIMENSIONS ET LES DIRECTIONS AVANT LA CONSTRUCTION. TOUTES LES MODIFICATIONS À CE PLAN DOIVENT ÊTRE FAITES À VOS PROPRES RISQUES. LA LICENCE POUR CE PLAN NE COMPREND PAS LA LICENCE POUR RÉPRODUIRE OU DISTRIBUER CE PLAN. TOUTE RÉPLICATION OU DISTRIBUTION DE CE PLAN SANS LA PERMISSION ÉCRITE DE DRUMMOND HOUSE PLANS EST STRICTEMENT INTERDITE. L'ACHAT D'UN PLAN DE MAISONNETTE NE VOUS PERMET PAS D'UTILISER CE MODÈLE À DES FINS PUBLICITAIRES, À MOINS D'OBTENIR PRÉALABLEMENT UNE LICENCE. LA CONSTRUCTION DE PLUS D'UNE MAISONNETTE À PARTIR DES PLANS DE CE MODÈLE NÉCESSITE AUSSI OBLIGATOIREMENT L'OBTENTION D'UNE LICENCE.



DRUMMONDHOUSEPLANS.COM ALL RIGHTS RESERVED

CUSTOMER INFO

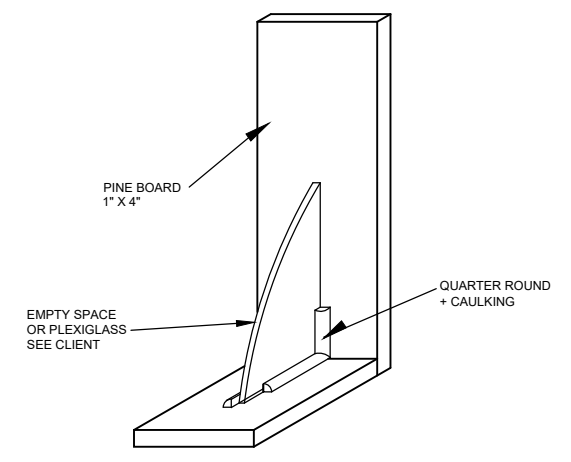
PROJECT INFO

PLAYHOUSE

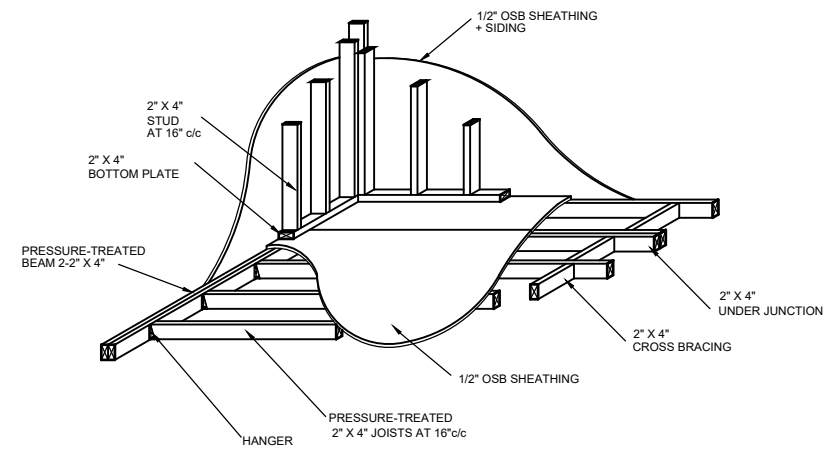
DRAWING

SECTIONS AND DETAILS

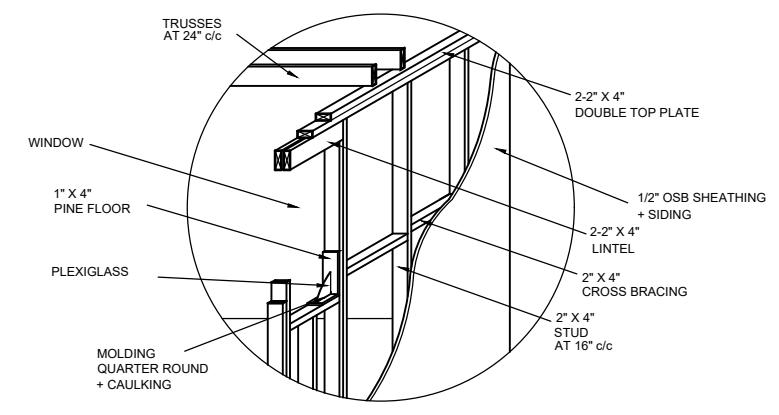
SCALE	3/16"=1'-0"	CHECKED BY	M.S.
DATE	00/06/2024	DRAWN BY	M.S.
PLAN NO.	9980	DESIGNED BY	D.C.
SHEET NO.	2-2		



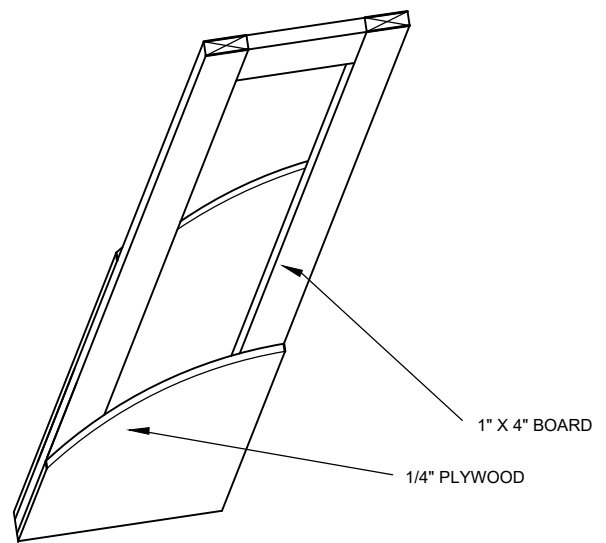
WINDOW SECTION
NO SCALE



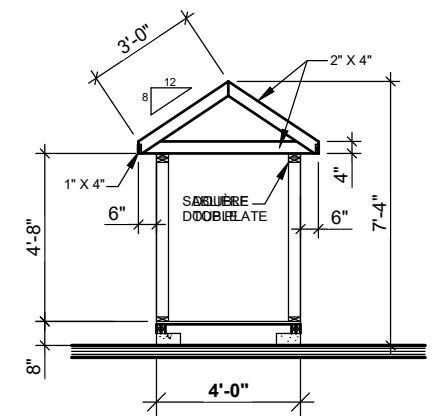
COLUMN SECTION
(NO SCALE)



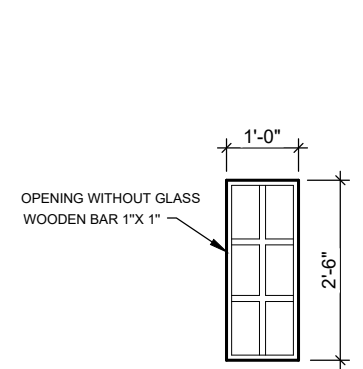
OPENING SECTION
(WITHOUT SCALE)



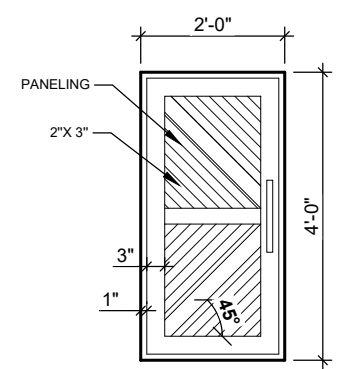
DOOR SECTION
NO SCALE



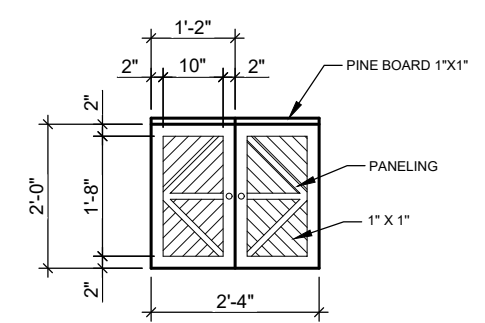
SECTION



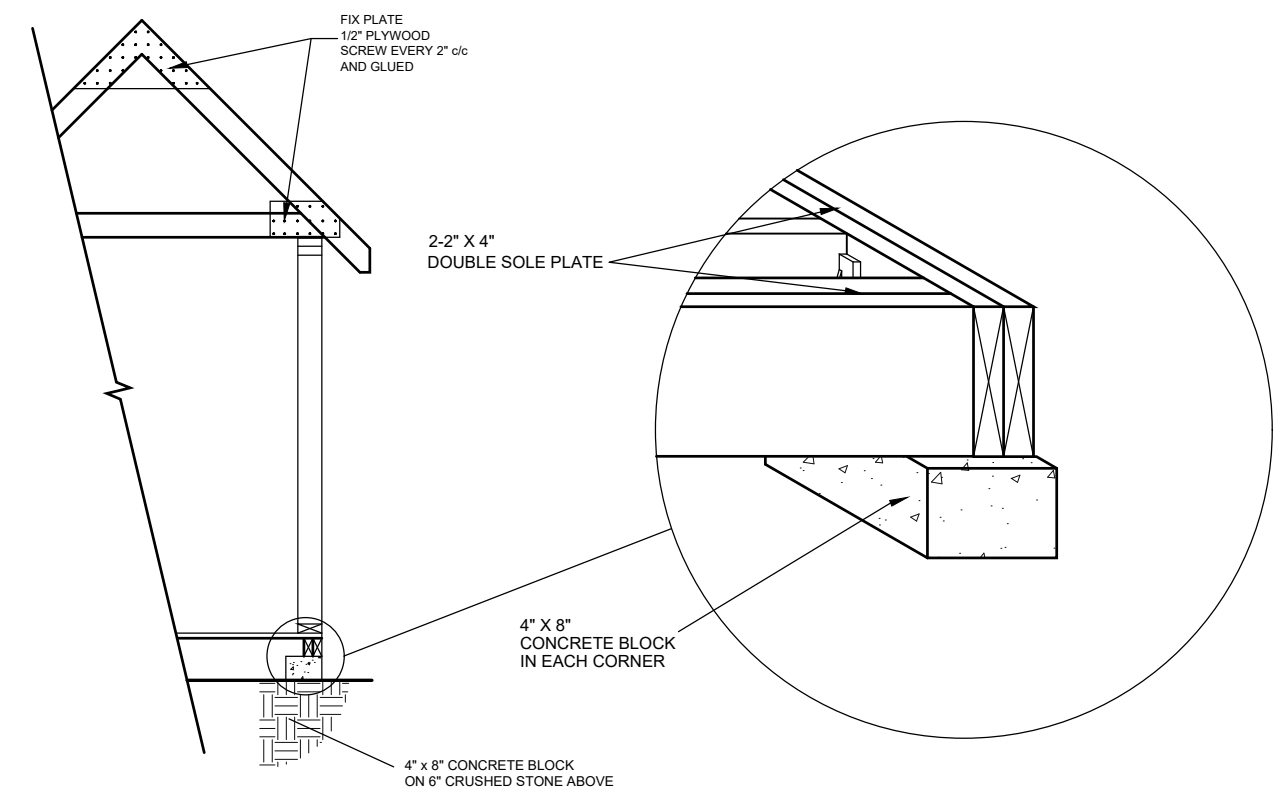
WINDOW SECTION
(SCALE 3/8" = 1'-0")



DOOR STYLE
(SCALE 3/8" = 1'-0")



DOOR STYLE
(SCALE 3/8" = 1'-0")



<u>QTY</u>		<u>DESCRIPTION</u>	<u>MMS</u>
		<u>Floor Framing (Treated)</u>	
4	EA	4"x8" Concrete Blocks	139259
2	EA	2x4x12' Rim	144646
2	EA	2x4x8' Rim	144644
2	EA	2x4x12' Joists	144646
1	EA	2x4x8' Blocking	144644
1	EA	1/2"x4'x8' OSB Sheathing	113808
4	EA	2x4 Single Joist Hangers	295813
		<u>Outside Step Framing (Treated)</u>	
4	EA	4"x8" Concrete Blocks or 4x4 Deck Blocks	139259
2	EA	2x4x12' Rim	144646
1	EA	2x4x8' Joist	144644
4	EA	5/4x6x10' Decking	144640
4	EA	2x4 Single Joist Hangers	295813
		<u>Wall Framing</u>	
3	EA	2x4x8' Plates	114624
3	EA	2x4x12' Plates	114626
1	EA	2x4x8' Blocking	114624
1	EA	2x4x12' Blocking	114626
14	EA	2x4x10' Studs	114625
2	EA	2x4x10' Lintels	114625
2	EA	2x4x12' Cripples / Jacks	114626
6	EA	1/2"x4'x8' OSB Sheathing	113808
8	SQ.FT	Shake 'Look' Siding	S/O
78	SQ.FT	Vertical Canexel Siding White	S/O
2	SQ.FT	Decorative Solar Lights (Amazon)	S/O
1	EA	1x2x8' Transition Trim	145008
1	EA	Transition Drip Cap	143827
		<u>Window Framing</u>	
3	EA	1x4x8'	145012
4	EA	1/4 Round Trim x 8'	113965
2	EA	1x2x8' Grill (Ripped in half)	145008
2	EA	10"x28" Plexiglass	S/O
		<u>Single Door Framing</u>	
3	EA	1x4x8'	145012
1	EA	1/4"x4x8' Plywood	144985
4	EA	2x3x8' Paneling	121979
2	EA	1x1x8' Trim	131709
1	EA	Weiser Hertiage Entry Handle (Need Handle Only no Deadbolt)	114425
		<u>Double Door Framing</u>	
2	EA	1x3x8'	145010
3	EA	1x3x8' Paneling	145010
3	EA	1x1x8' Trim & Table Cap Trim	131709
1	EA	1x6x8' Table Cap	145017
2	EA	Round Knob Pulls From Richelieu	112342
		<u>Roof Framing Material</u>	
5	EA	2x4x12' Rafter / Ceiling Joists	114626
3	EA	1/2"x4x8' Plywood Sheathing & Gussets	113776
3	EA	1x4x8' Sub Fascia	167860
2	EA	Mystique Barkwood Shingles	283338
1	EA	Dakota Barkwood Shingles	283326
0,25	ROLL	Roofing Felt Paper	113883
3	EA	Alum Metal Shingle Starter x 10' White	132784
3	EA	4" Fascia Trim x 10'	132781
20	PCS	Roof Flashing at Chimney	132855
3	PCS	4" Wide Soffit Strip	108859
		<u>Chimney Framing (Budget Only)</u>	
6	EA	2x4x8' Framing	144644
1	EA	1/2"x4x8' OSB Sheathing	113808
6	SQ.FT	Vertical Canexal Siding White	S/O
1	LF	24" White Alum Flatstock	132779
		<u>Decorative Panels (Budget Only) (Treated ??)</u>	
4	EA	1x6x8' Vertical	144636
2	EA	1x4x8' Bracing	144633
1	EA	1x2x8' Cap	121966
3	EA	Deck Block	139257
2	EA	2x4x8' End Posts	144644

(For Exact Colors & Styles Refer To Moodboard)

(Hardware & Caulking To Be Verified)

